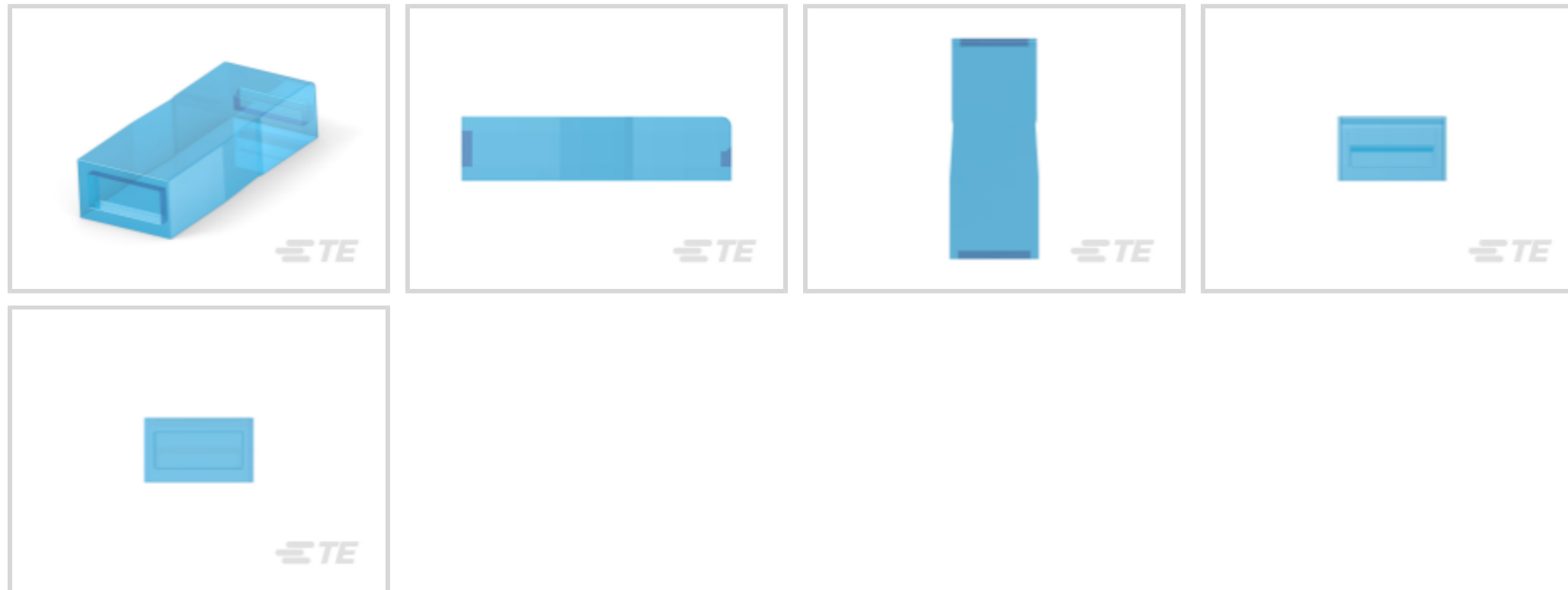




Terminals & Splices > Terminal Housings, Insulation Sleeves & Blocks > Insulation Boots & Sleeves



Insulation Boot & Sleeve Product Type: **Insulation Sleeve**

Terminal Orientation: **Straight**

Primary Product Material: **PVC**

Primary Product Color: **Blue**

Packaging Method: **Bag**

## Features

### Product Type Features

Insulation Boot & Sleeve Product Type	Insulation Sleeve
---------------------------------------	-------------------

### Configuration Features

Number of Positions	1
---------------------	---

### Body Features

Primary Product Material	PVC
Primary Product Color	Blue

### Contact Features

Accepts Terminal Style	Receptacle
Terminal Orientation	Straight

### Dimensions

Product Length	26 mm[1.02 in]
----------------	----------------

### Usage Conditions

Operating Temperature Range	-40 – 105 °C[-40 – 221 °F]
-----------------------------	----------------------------

### Industry Standards

--	--

UL Flammability Rating	UL 94V-0
------------------------	----------

### Packaging Features

Packaging Quantity	1000
Packaging Method	Bag

### Product Compliance

[For compliance documentation, visit the product page on TE.com>](#)

EU RoHS Directive 2011/65/EU	Compliant
EU ELV Directive 2000/53/EC	Compliant
China RoHS 2 Directive MIIT Order No 32, 2016	No Restricted Materials Above Threshold
EU REACH Regulation (EC) No. 1907/2006	Current ECHA Candidate List: JUNE 2023 (235) Candidate List Declared Against: JUNE 2022 (224) Does not contain REACH SVHC
Halogen Content	Not Low Halogen - contains Br or Cl > 900 ppm.
Solder Process Capability	Not applicable for solder process capability

#### Product Compliance Disclaimer

This information is provided based on reasonable inquiry of our suppliers and represents our current actual knowledge based on the information they provided. This information is subject to change. The part numbers that TE has identified as EU RoHS compliant have a maximum concentration of 0.1% by weight in homogenous materials for lead, hexavalent chromium, mercury, PBB, PBDE, DBP, BBP, DEHP, DIBP, and 0.01% for cadmium, or qualify for an exemption to these limits as defined in the Annexes of Directive 2011/65/EU (RoHS2). Finished electrical and electronic equipment products will be CE marked as required by Directive 2011/65/EU. Components may not be CE marked. Additionally, the part numbers that TE has identified as EU ELV compliant have a maximum concentration of 0.1% by weight in homogenous materials for lead, hexavalent chromium, and mercury, and 0.01% for cadmium, or qualify for an exemption to these limits as defined in the Annexes of Directive 2000/53/EC (ELV). Regarding the REACH Regulation, the information TE provides on SVHC in articles for this part number is based on the latest European Chemicals Agency (ECHA) 'Guidance on requirements for substances in articles' posted at this URL: <https://echa.europa.eu/guidance-documents/guidance-on-reach>

### Also in the Series | Positive Lock 250



Automotive Terminals(1)



Crimp Terminal Housings(193)



Insertion & Extraction Tools(3)



Insulation Boots & Sleeves(4)



Quick Disconnects(186)

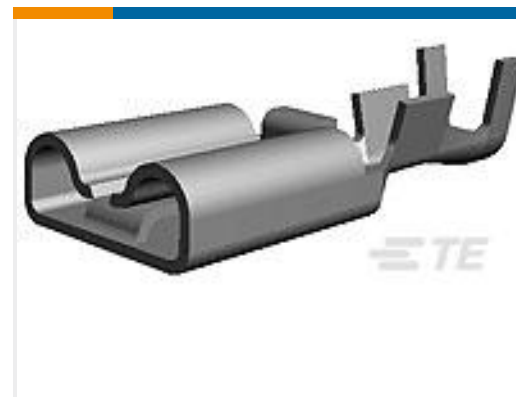
## Customers Also Bought



TE Part #2-316132-3  
Header Assembly: Wire-to-Board, 15A,  
gold or tin plated



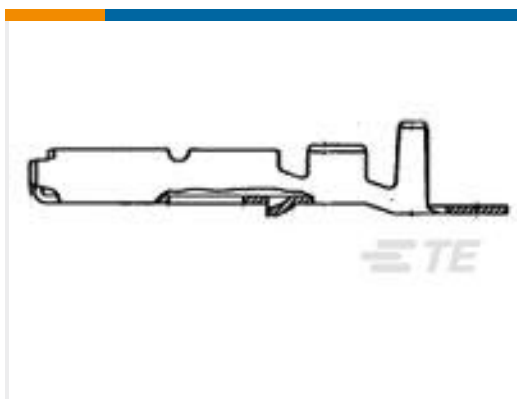
TE Part #170014-6  
FF 110 TAB 20-16AWG PTBR



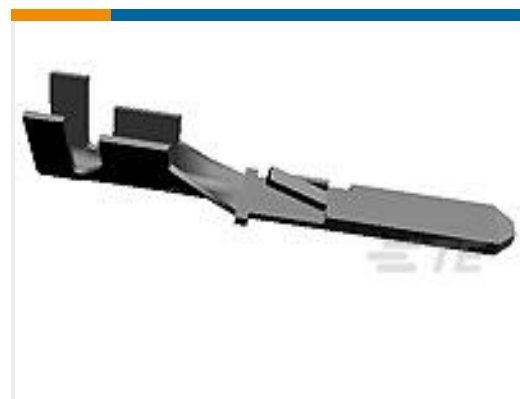
TE Part #175023-1  
PL 250 RECEPTACLE 18-14 AWG PTBR



TE Part #316834-2  
040 SEALED TAB CONT. S / GOLD



TE Part #172774-4  
MIC MK-II LP



TE Part #160743-4  
110 FASTIN FASTON, TAB, 20-16 AWG,  
PTBR



TE Part #62131-3  
CLSTR PIN RCPT



TE Part #1217825-1  
FLUORESCENT TUBE SOCKET  
TERMINAL

## Documents

### Product Drawings

#### POSITIVE LOCK 250 (6.3 MM) SLEEVE

English

### CAD Files

#### 3D PDF

3D

#### Customer View Model

[ENG\\_CVM\\_CVM\\_174817-1\\_O.2d\\_dxf.zip](#)

English

#### Customer View Model

[ENG\\_CVM\\_CVM\\_174817-1\\_O.3d\\_igs.zip](#)

English

#### Customer View Model

[ENG\\_CVM\\_CVM\\_174817-1\\_O.3d\\_stp.zip](#)

English

By downloading the CAD file I accept and agree to the [Terms and Conditions](#) of use.



---

**Product Environmental Compliance**

[MD\\_174817-1\\_12182017144\\_dmtec](#)

English

[MD\\_174817-1\\_12182017144\\_dmtec](#)

English

---

**Instruction Sheets**

[Instruction Sheet \(non U.S.\)](#)

English

[POSITIVE LOCK EX CONTACT](#)

English