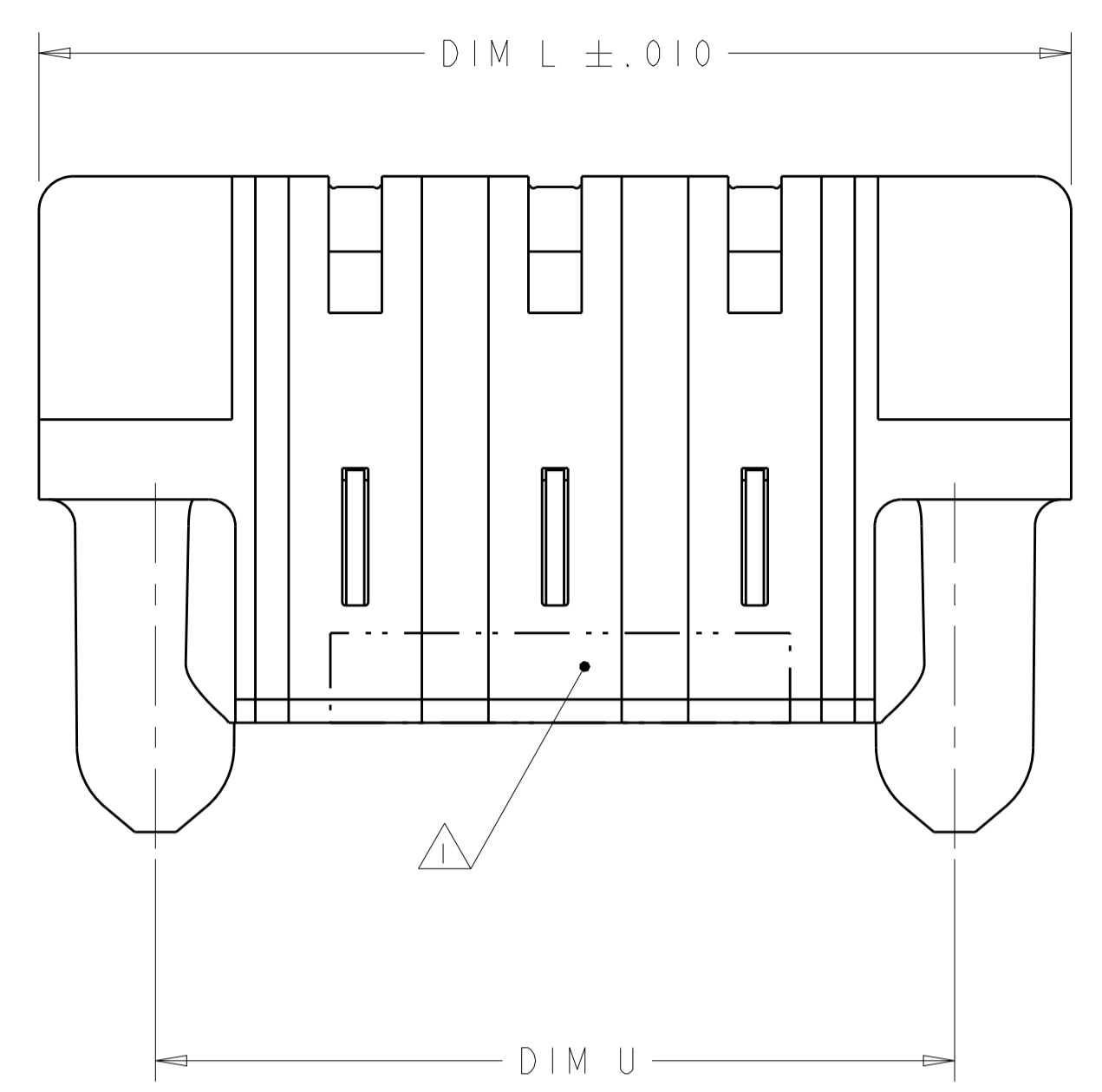
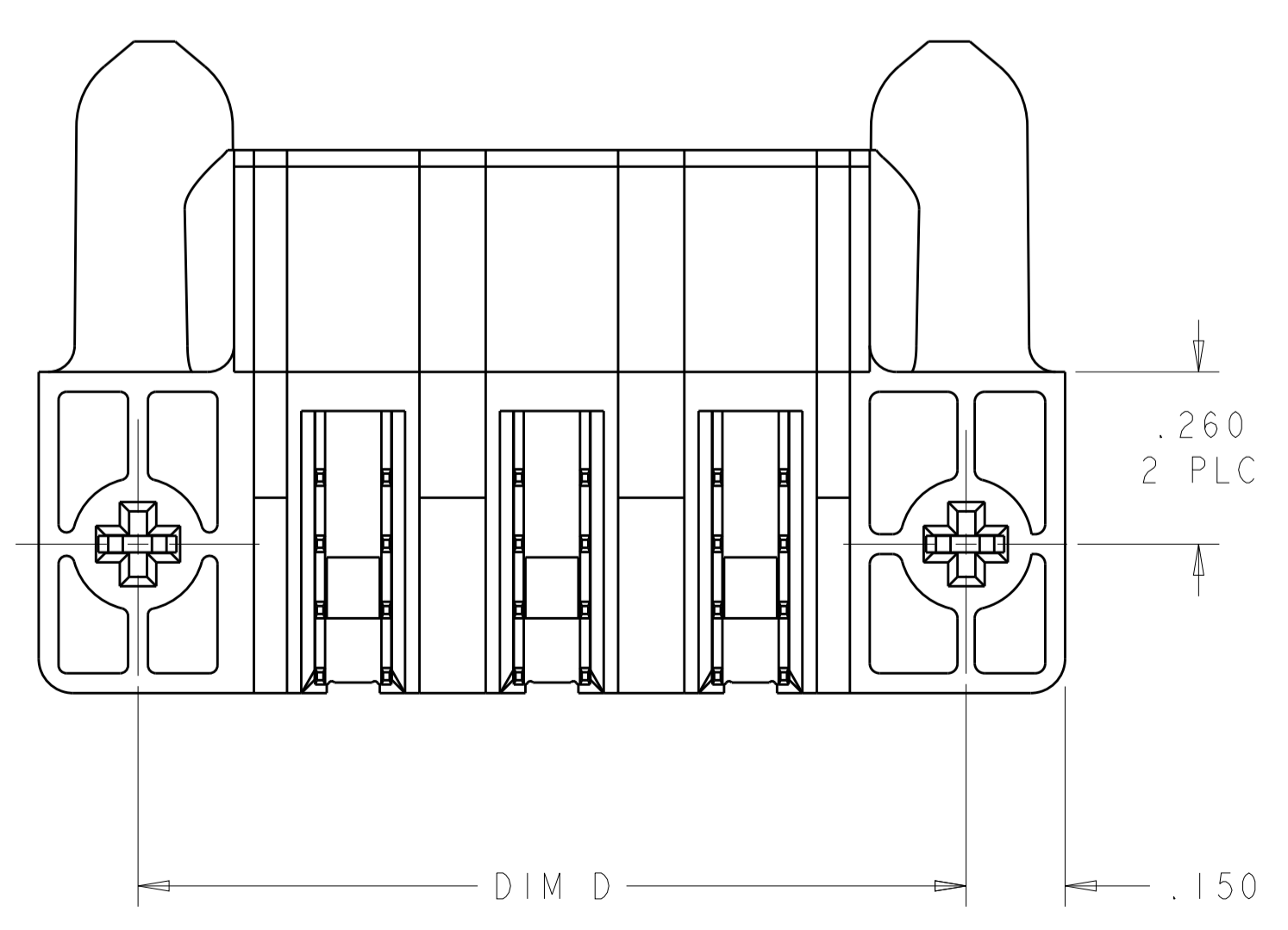
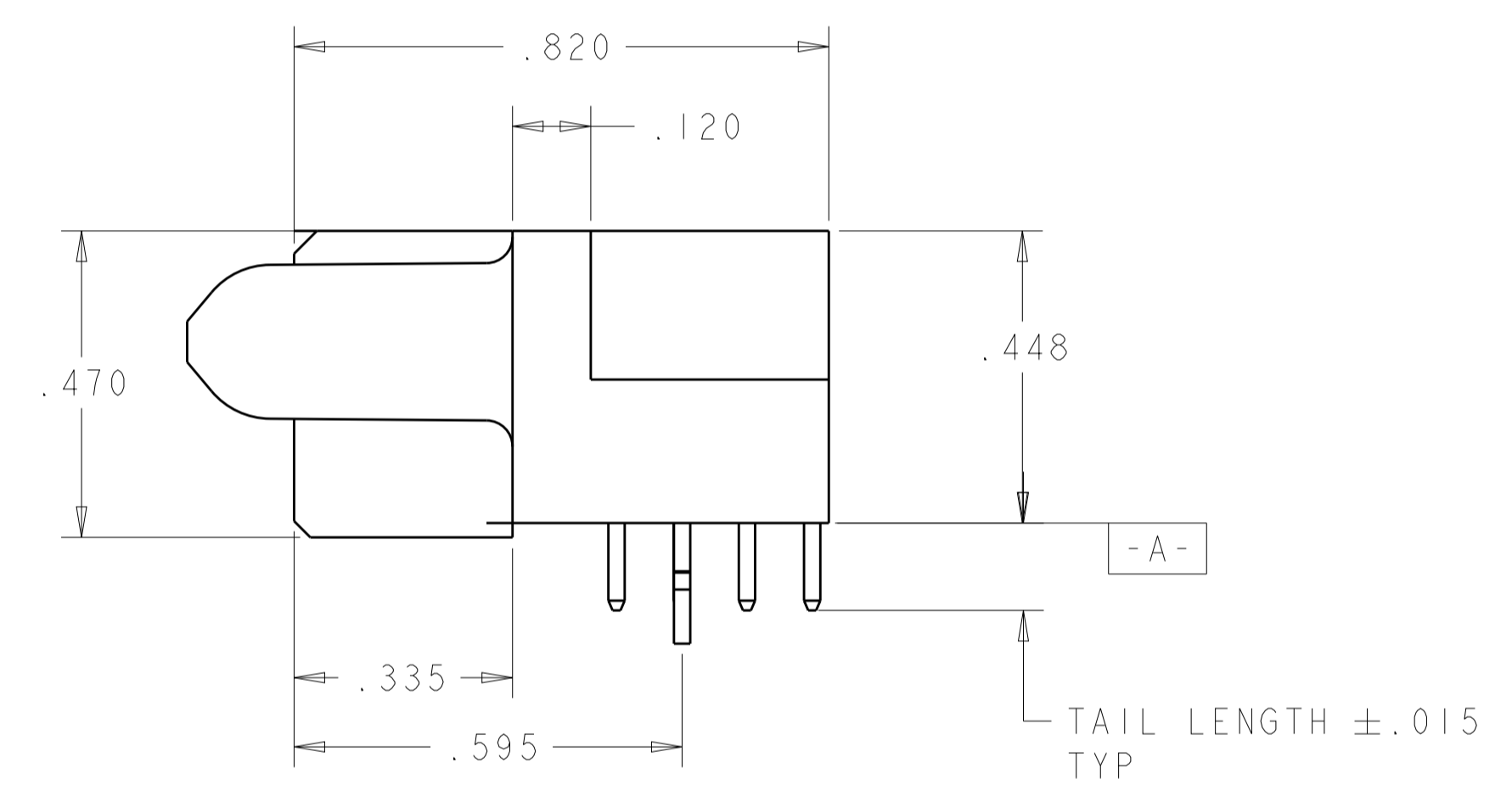
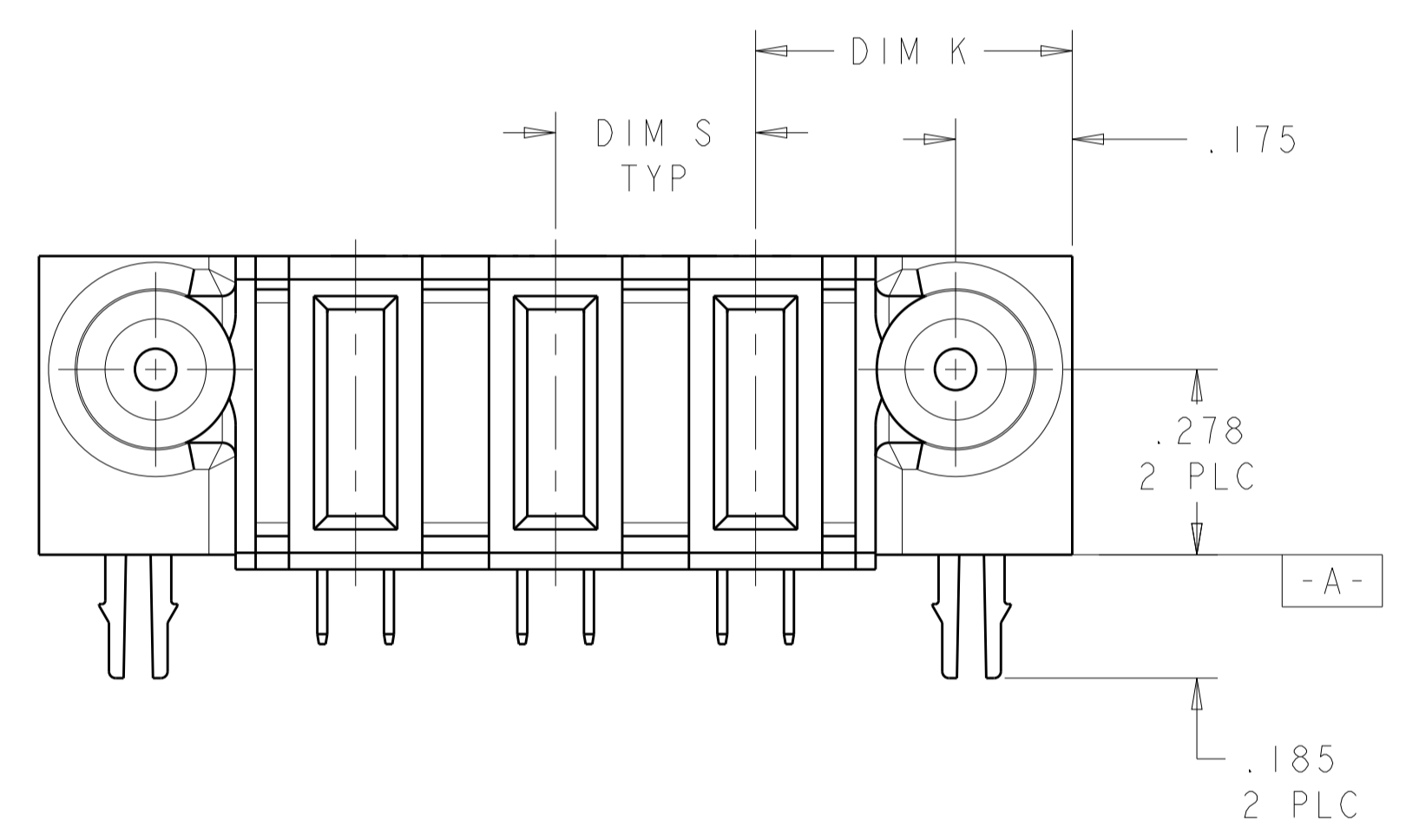


LOC		DIST		REVISIONS			
P	LTN	DESCRIPTION	DATE	DMN	APVD		
B2		ADD NEW DASH NUMBER -3	08APR2013	CZ	SZ		



- △ "AMP", PART NUMBER, AND DATE CODE TO BE MARKED IN AREA SHOWN. PARTS UNDER 2.000 MAY BE MARKED ON BOTH SIDES.
- △ MATERIAL: HOUSING - GLASS FILLED HIGH TEMP THERMO PLASTIC, UL94 V-0. POWER CONTACT -HIGH CONDUCTIVITY COPPER ALLOY.
- △ CONTACT PLATING: NOBLE METAL PLATING ON CONTACT FUNCTIONAL AREA OF POWER AND SIGNAL CONTACTS
- △ MECHANICAL CONNECTOR KEEP OUT ZONE.
- △ DATUM AND BASIC DIMENSIONS ESTABLISHED BY CUSTOMER.
- △ PCB - ALL HOLE DIAMETERS ARE FINISHED HOLE SIZES.
- △ PCB - .0453±.0010 DRILLED HOLES WITH .0003 MIN Sn OVER .001 TO .003 Cu PLATING TO ACHIEVE A .040±.003 DIA HOLE.



DIM U	DIM S	DIM D	DIM L	DIM K	DESCRIPTION	PART NUMBER
1.150	.300	1.200	1.500	.450	3ACP	6450173-3
1.550	.250	1.600	1.900	.450	5P	6450173-2
1.200	.300	1.250	1.550	.475	3ACP	6450173-1

THIS DRAWING IS A CONTROLLED DOCUMENT. DWN: R. GRZYBOWSKI, 22FEB05, CHK: M. PERCHERKE, 22FEB05, APVD: M. PERCHERKE, NAME: R. GRZYBOWSKI

STE TE Connectivity

RIGHT ANGLE RECEPTACLE ASSEMBLY WITH GUIDES MULTI-BEAM XL

PRODUCT SPEC: 108-1973, APPLICATION SPEC: 114-13038, SIZE: A100779, CAGE CODE: 6450173, DRAWING NO: 6450173-3, SHEET 1 OF 3, REV B3

MATERIAL: 2, FINISH: 3, CUSTOMER DRAWING, SCALE: 4:1

Mouser Electronics

Authorized Distributor

Click to View Pricing, Inventory, Delivery & Lifecycle Information:

[TE Connectivity:](#)

[6450173-1](#)