

C3225X7S2A475K200AB

TDK Item Description : C3225X7S2A475KT****

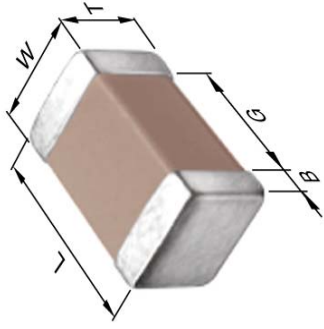


Application & Main Feature

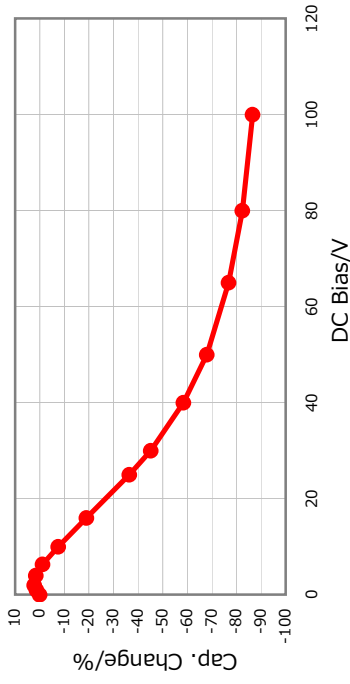
Commercial Grade (Mid Voltage (100 to 630V))

Series

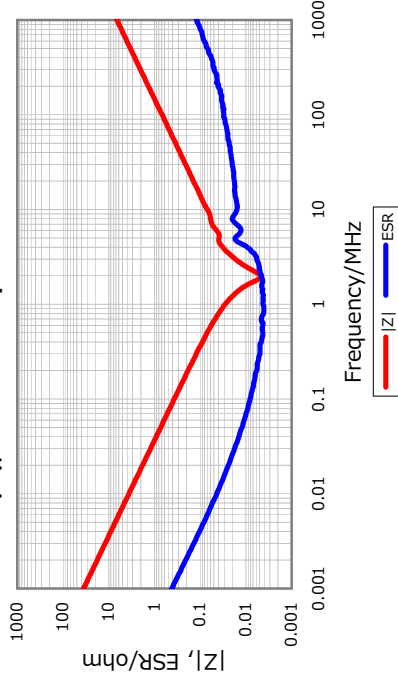
C3225 [EIA CC1210]



DC Bias Characteristic



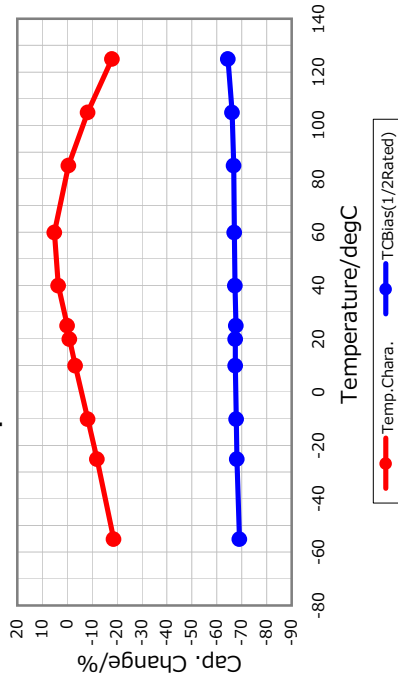
|Z|, ESR vs. Freq. Characteristics



Temperature Characteristic

X7S (-55 to 125 degC +/-22%)

Temperature Characteristics



Characterization Sheet (Multilayer Ceramic Chip Capacitors)

Rated Voltage

2A (100Vdc)

Capacitance

4.7uF

Capacitance Tolerance

K (+/-10%)

Dissipation Factor

5% Max.

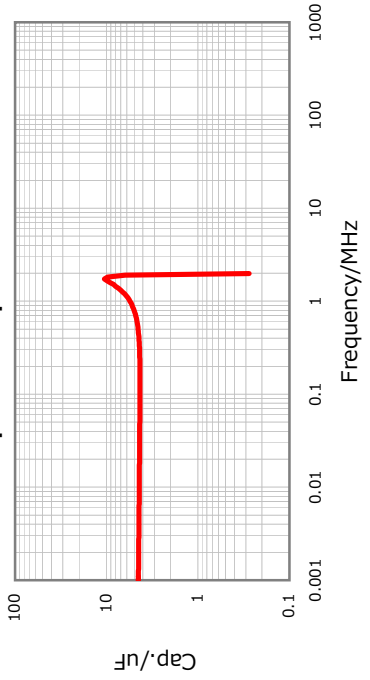
Insulation Resistance

106Mohm Min.

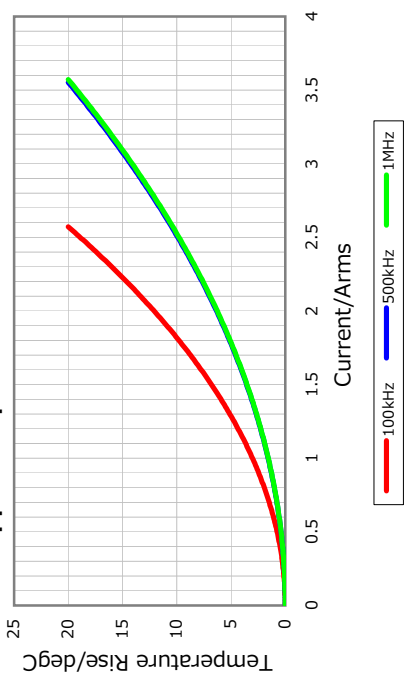
AEC-Q200

Not Applicable

Cap. vs. Freq. Characteristic



Ripple Temperature Rise Characteristics



All specifications are subject to change without notice.

January 4, 2016