

THIS DRAWING IS UNPUBLISHED. RELEASED FOR PUBLICATION
 © COPYRIGHT 2010 BY TYCO ELECTRONICS CORPORATION. ALL RIGHTS RESERVED.

LOC	DIST	REVISIONS					
DW		P	LTR	DESCRIPTION	DATE	DWN	APVD
			C4	REVISED (ECR-11-005224, ADD PN 5-1734577-4)	11MAR'11	E.L.	W.K.

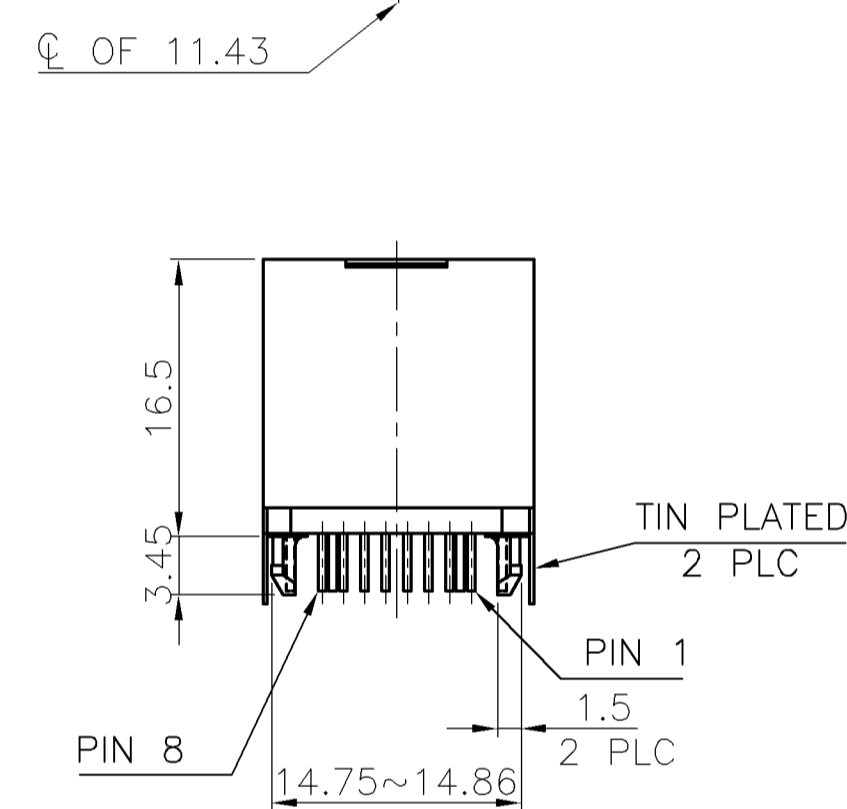
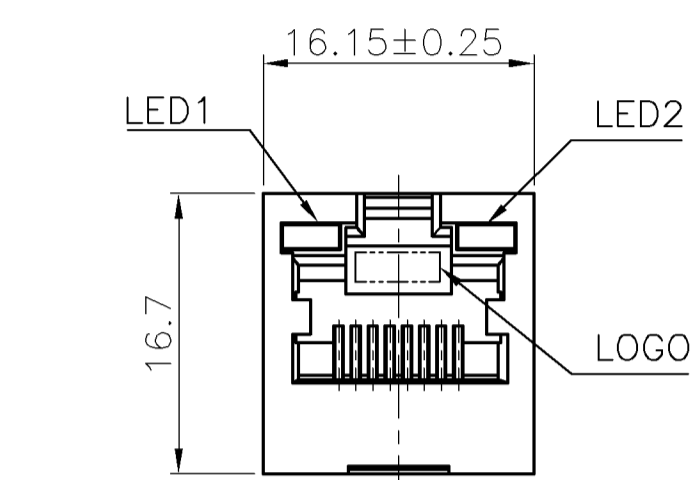
LED SCHEMATIC	
LED1	LED2
GREEN	YELLOW
9- +10	11- +12
FOR 1734577-X	

LED SCHEMATIC	
LED1	LED2
GREEN	GREEN
9- +10	11- +12
FOR 1-1734577-X	

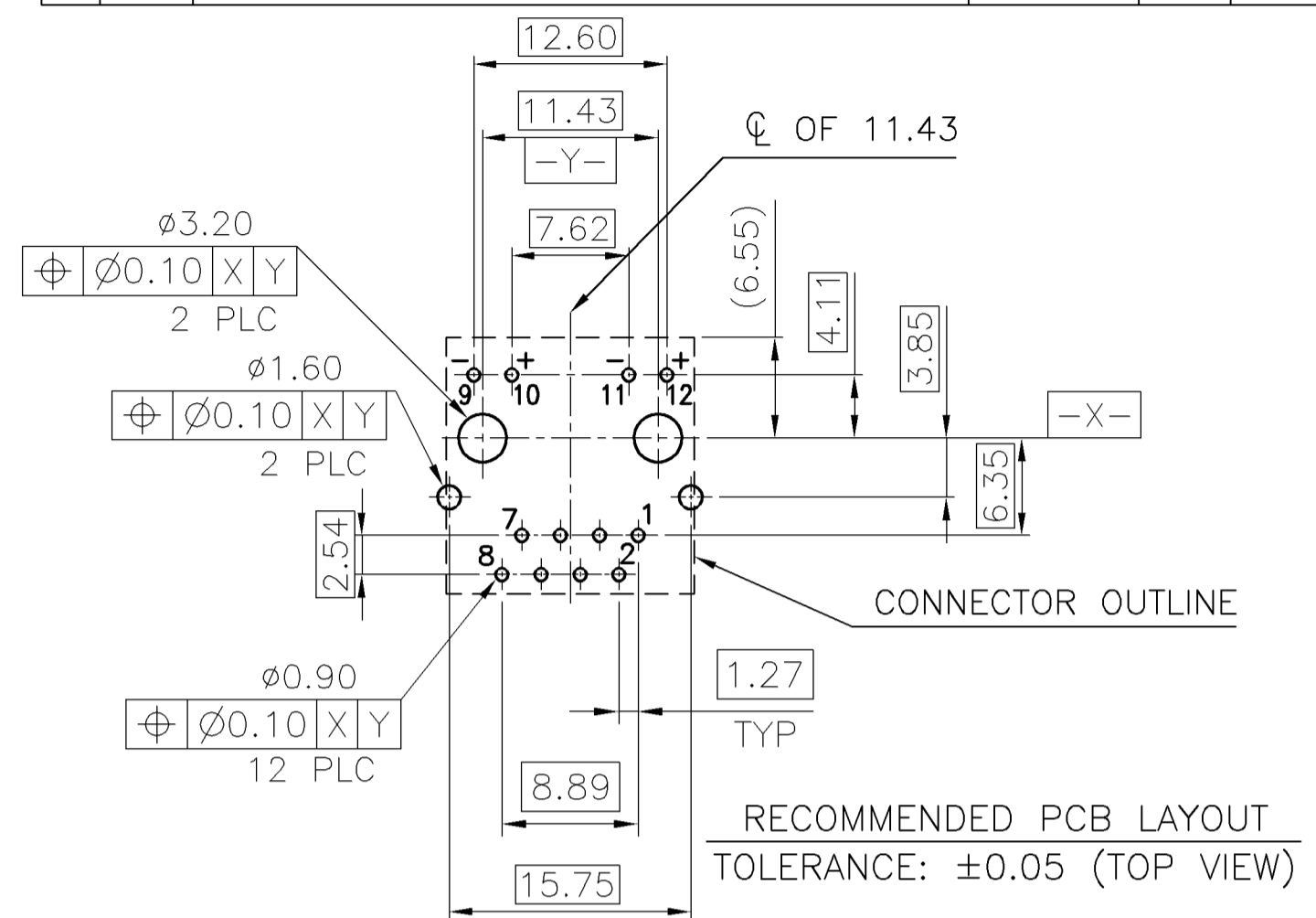
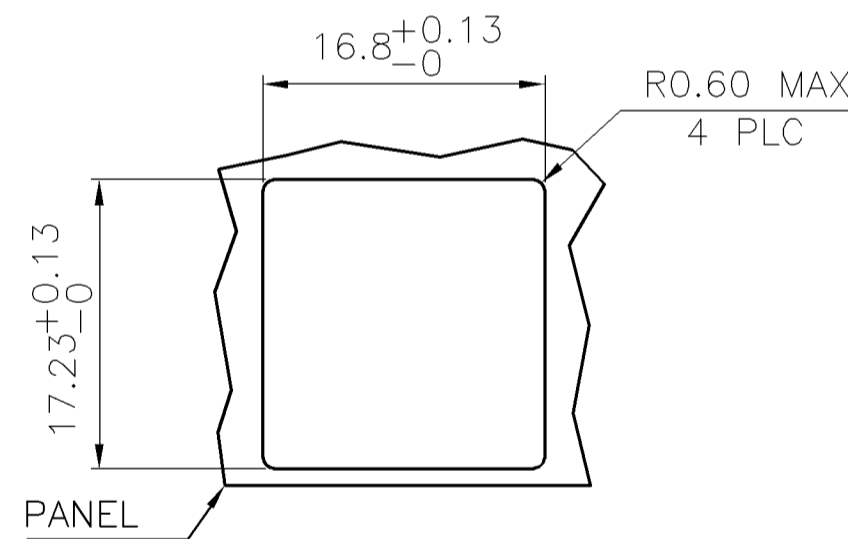
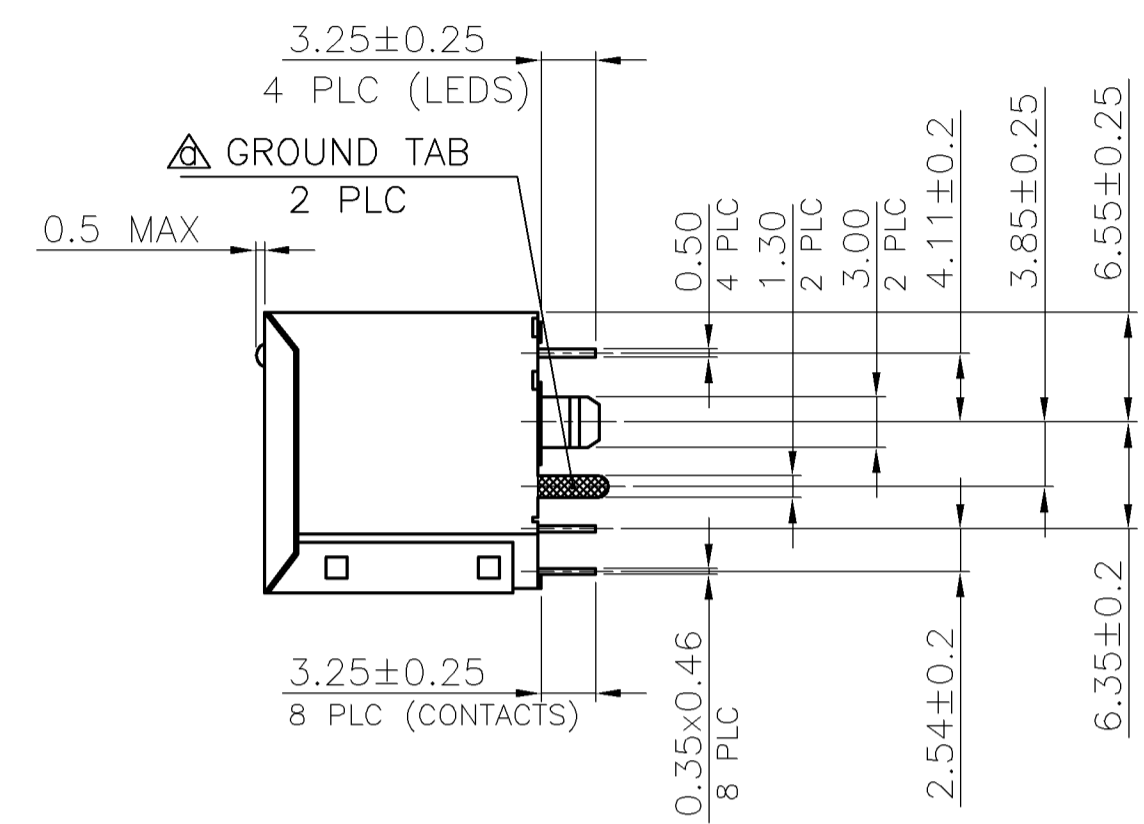
LED SCHEMATIC	
LED1	LED2
RED	RED
GREEN	GREEN
9- +10	11- +12
FOR 2-1734577-X	

LED SCHEMATIC	
LED1	LED2
YELLOW	GREEN
ORANGE	
9- +10	11- +12
FOR 4-1734577-1	

LED SCHEMATIC	
LED1	LED2
RED	RED
YELLOW	GREEN
9- +10	11- +12
FOR 5-1734577-X	



MODULAR JACK WITH LED



- NOTE:
- MATERIAL:
 - HOUSING: PA46, WITH 30% GF, UL94 V-0, BLACK COLOR.
 - CONTACTS: PHOSPHOR BRONZE.
 - SHELL: BRASS.
 - LED SOLDER TAIL: STEEL.
 - FINISH:
 - CONTACTS: (SEE TABLE) GOLD PLATED ON CONTACT AREA, GOLD FLASH ON SOLDER TAIL AREA, 1.27um [50u"] MIN. NICKEL UNDERPLATING OVERALL. SHELL: 0.508um [20u"] MIN. NICKEL PLATED.
 - a POST DIPPED WITH TIN ON PCB GROUND TABS.
 - LED SOLDER TAIL: 2.159um [85u"] MIN. BRIGHT-TIN PLATED.
 - LED MUST BE REFLOW COMPATIBLE TO FOLLOWING TEMPERATURE PROFILE (FOR 1 CYCLE): ABOVE 160°C FOR 120 SECONDS, PEAKING AT 245°C FOR 20~40 SECONDS.
 - LED DEFECT RATE IS 6000PPM MAX. AFTER IR REFLOW PROCESS AS NOTE 3.
 - WAVE SOLDER CAPABLE TO 265°C PER TE SPEC 109-202, CONDITION B.
 - OBSOLETE PARTS: OBSOLETE CIS STREAMLINING PER D.RENAUD/D.SINISI

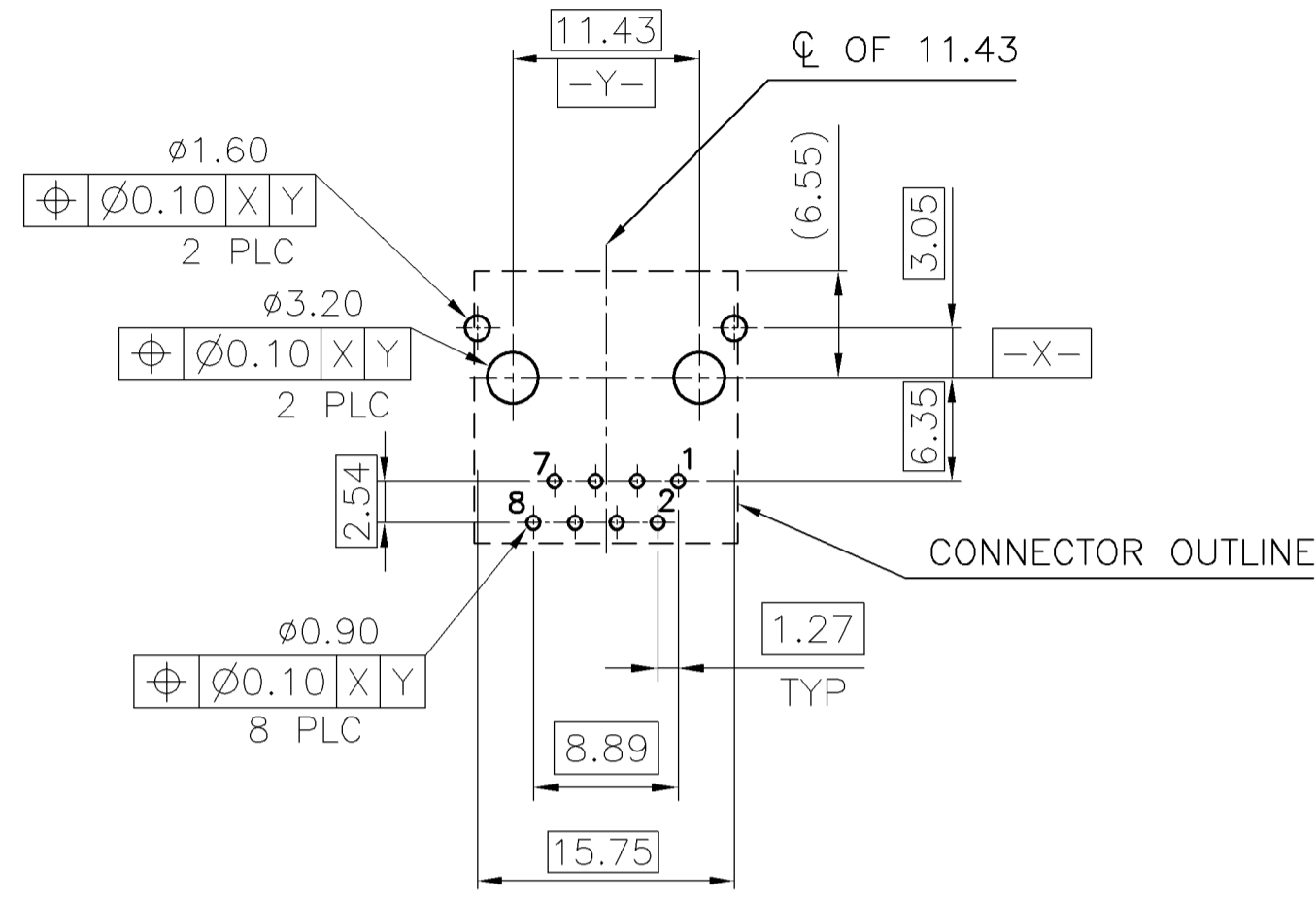
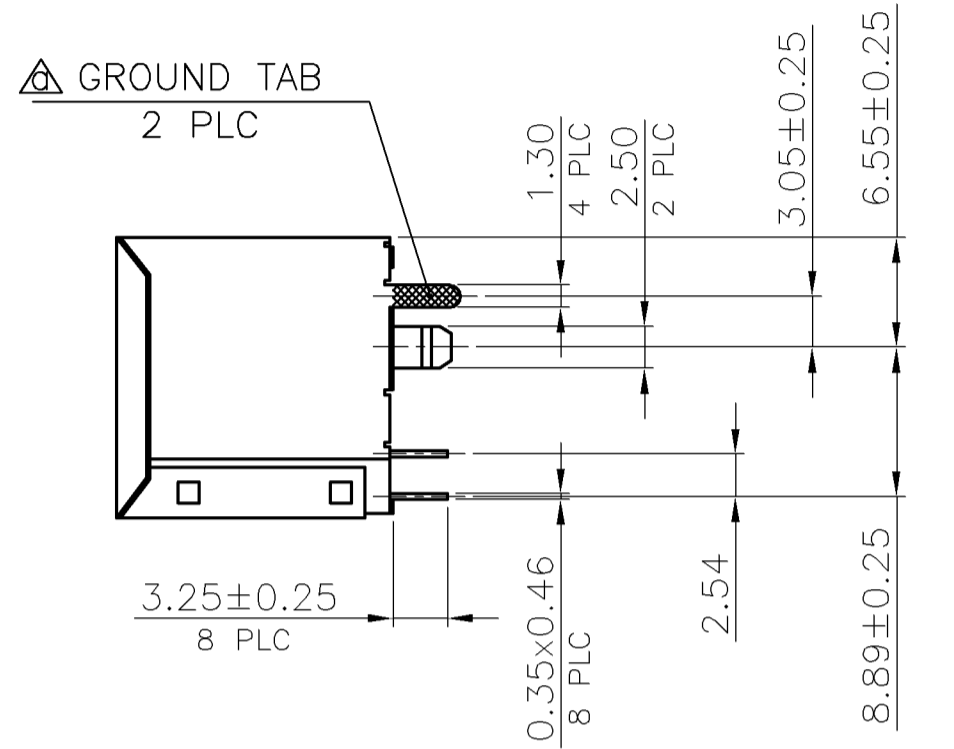
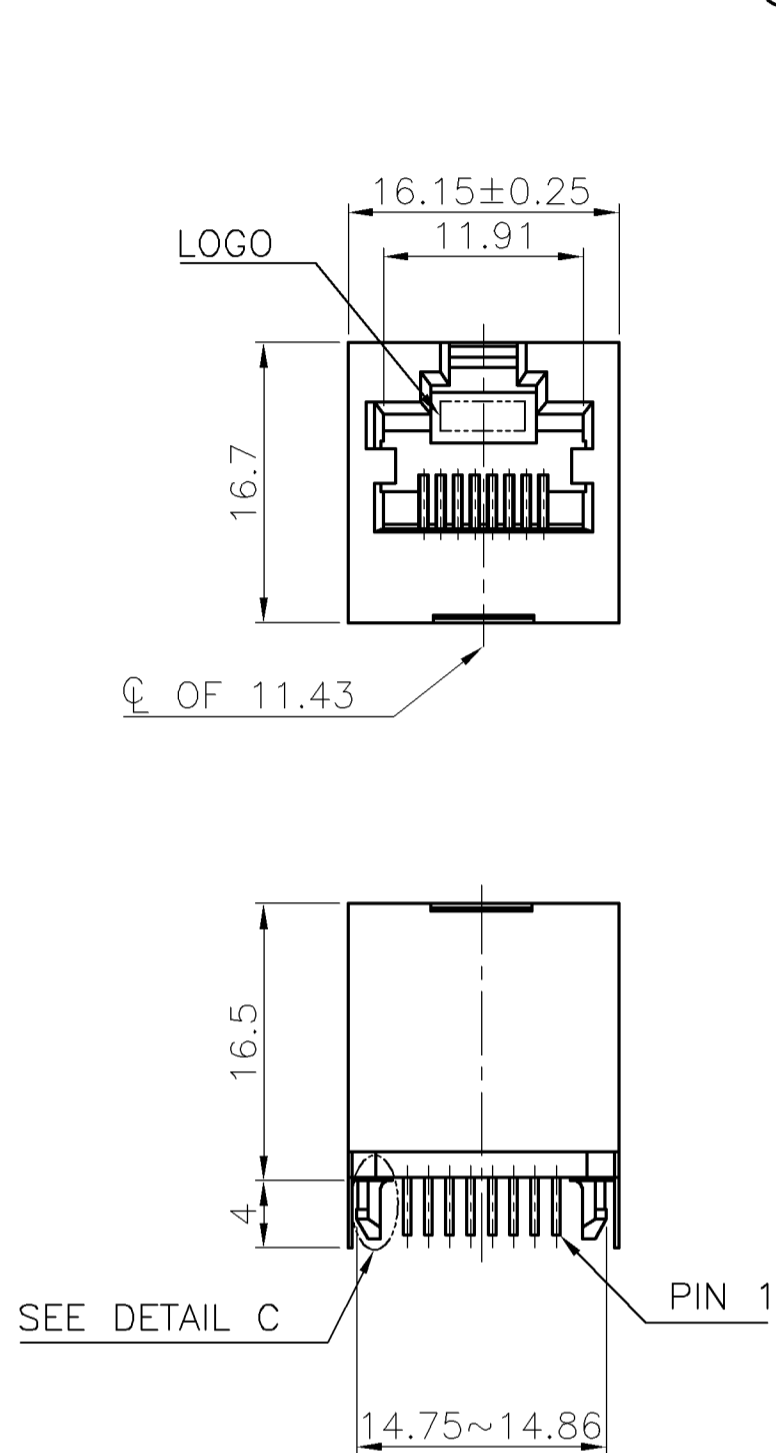
	RED/GREEN	RED/YELLOW	1.27um [50u"]	5-1734577-4
	GREEN/ORANGE	YELLOW	0.762um [30u"]	4-1734577-1
OBSOLETE	RED/GREEN	RED/GREEN	1.27um [50u"]	2-1734577-4
			0.762um [30u"]	2-1734577-3
			0.381um [15u"]	2-1734577-2
OBSOLETE	GREEN	GREEN	1.27um [50u"]	1-1734577-4
			0.762um [30u"]	1-1734577-3
			0.381um [15u"]	1-1734577-2
	YELLOW	GREEN	1.27um [50u"]	1734577-4
			0.762um [30u"]	1734577-3
			0.381um [15u"]	1734577-2
	LED2	LED1	MIN. GOLD THICKNESS	PART NUMBER
	INDICATOR COLOR			

THIS DRAWING IS A CONTROLLED DOCUMENT.		DWN B. HSING 21JUL2009	TE Connectivity	
DIMENSIONS: mm		CHK S. CHIEN 21JUL2009		
TOLERANCES UNLESS OTHERWISE SPECIFIED:		APVD W. KODAMA 21JUL2009	NAME	
0 PLC ± - 1 PLC ± 0.3 2 PLC ± 0.2 3 PLC ± 0.15 4 PLC ± - ANGLES ± 3°		PRODUCT SPEC		MODULAR JACK CONNECTOR RJ45, 8P8C, VERTICAL, DIP TYPE
MATERIAL SEE NOTE		APPLICATION SPEC		
FINISH SEE NOTE		108-57527		SIZE
		WEIGHT 6.55 GRAMS		CAGE CODE A300779
		CUSTOMER DRAWING		DRAWING NO C-1734577
		SCALE -		SHEET 1 OF 3
				REV C4

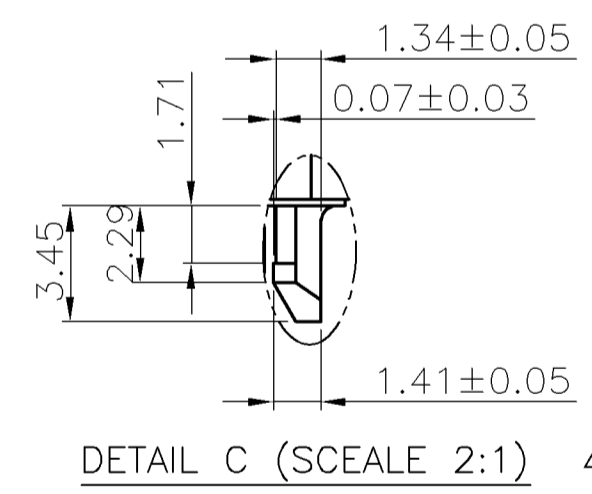
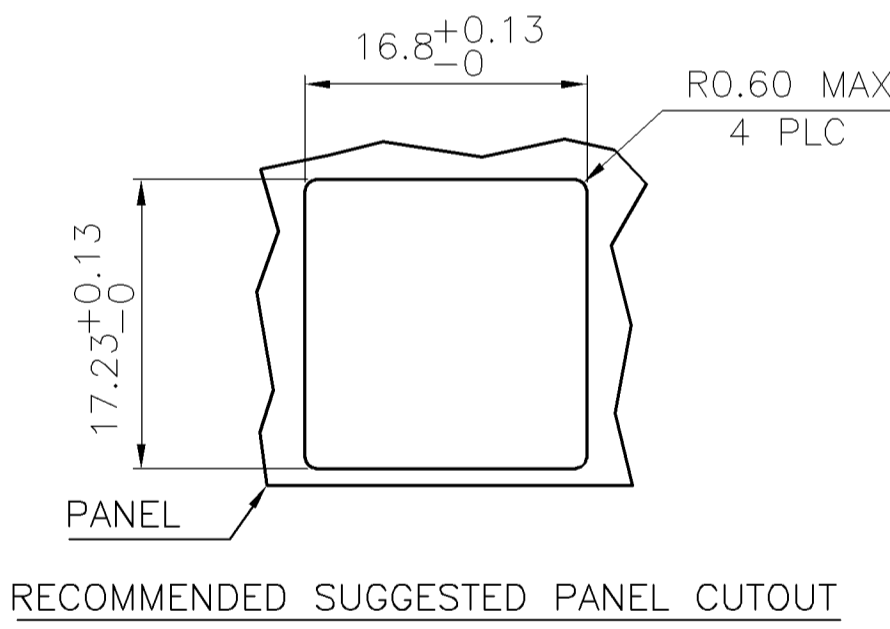
THIS DRAWING IS UNPUBLISHED. RELEASED FOR PUBLICATION
 © COPYRIGHT 2010 BY TYCO ELECTRONICS CORPORATION. ALL RIGHTS RESERVED.

LOC	DIST	REVISIONS		
DW		P	LTR	DESCRIPTION
				DATE
				DWN
				APVD
		SEE SHEET 1.		

MODULAR JACK WITHOUT LED



RECOMMENDED PCB LAYOUT
 TOLERANCE: ±0.05 (TOP VIEW)



- NOTE:
- MATERIAL:
 HOUSING: PA46, WITH 30% GF, UL94 V-0, BLACK COLOR.
 CONTACTS: PHOSPHOR BRONZE.
 SHELL: BRASS.
 - FINISH:
 CONTACTS: (SEE TABLE) GOLD PLATED ON CONTACT AREA,
 GOLD FLASH ON SOLDER TAIL,
 WITH ENTIRE CONTACT UNDERPLATED
 1.27µm [50µ"] MIN. NICKEL.
 SHELL: 0.508µm [20µ"] MIN. NICKEL PLATED.
 POST DIPPED WITH TIN ON PCB GROUND TABS.
 - WAVE SOLDER CAPABLE TO 265°C PER TE SPEC 109-202, CONDITION B.
 - OBSOLETE PARTS: OBSOLETE CIS STREAMLINING PER D.RENAUD/D.SINISI

1.27µm [50µ"]	3-1734577-5
1.27µm [50µ"]	3-1734577-4
0.762µm [30µ"]	3-1734577-3
0.381µm [15µ"]	3-1734577-2
0.152µm [6µ"]	3-1734577-1
MIN. GOLD THICKNESS	PART NUMBER

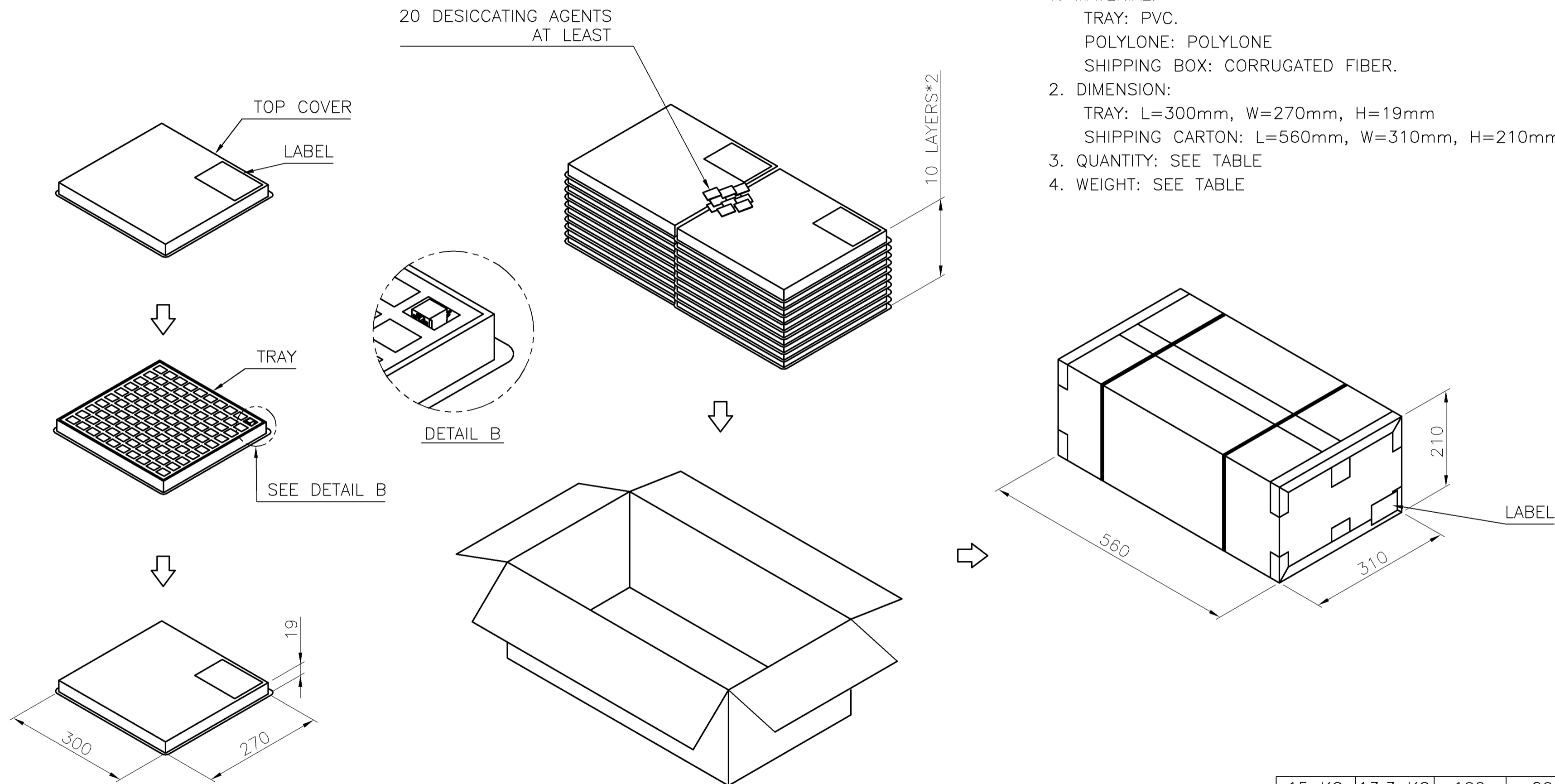
THIS DRAWING IS A CONTROLLED DOCUMENT.		DWN		STE TE Connectivity	
DIMENSIONS: mm		CHK			
TOLERANCES UNLESS OTHERWISE SPECIFIED:		APVD		NAME	
0 PLC ± -		PRODUCT SPEC		MODULAR JACK CONNECTOR	
1 PLC ± 0.3		APPLICATION SPEC		RJ45, 8P8C, VERTICAL, DIP TYPE	
2 PLC ± 0.2		WEIGHT 6.7 GRAMS		SIZE A3	CAGE CODE 00779
3 PLC ± 0.15		CUSTOMER DRAWING		DRAWING NO	RESTRICTED TO
4 PLC ± -		SCALE -		C=1734577	
ANGLES ± 3°		SHEET 2 OF 3		REV	C4
FINISH		REV			

THIS DRAWING IS UNPUBLISHED. RELEASED FOR PUBLICATION
 © COPYRIGHT 2010 BY TYCO ELECTRONICS CORPORATION. ALL RIGHTS RESERVED.

LOC	DIST	REVISIONS				
P	LTR	DESCRIPTION	DATE	DWN	APVD	
		SEE SHEET 1.				

NOTES:

- MATERIAL:
 TRAY: PVC.
 POLYLONE: POLYLONE
 SHIPPING BOX: CORRUGATED FIBER.
- DIMENSION:
 TRAY: L=300mm, W=270mm, H=19mm
 SHIPPING CARTON: L=560mm, W=310mm, H=210mm
- QUANTITY: SEE TABLE
- WEIGHT: SEE TABLE



15 KG	13.3 KG	100	20	2000
GROSS WEIGHT	NET WEIGHT	PCS/TRAY	TRAY/BOX	PCS/BOX

THIS DRAWING IS A CONTROLLED DOCUMENT.		DWN	TE Connectivity NAME MODULAR JACK CONNECTOR RJ45, 8P8C, VERTICAL, DIP TYPE			
DIMENSIONS: mm		CHK				
TOLERANCES UNLESS OTHERWISE SPECIFIED: 0 PLC ± - 1 PLC ± 0.3 2 PLC ± 0.2 3 PLC ± 0.15 4 PLC ± - ANGLES ± 3°		APVD				
MATERIAL		PRODUCT SPEC				
FINISH		APPLICATION SPEC	SIZE	CAGE CODE	DRAWING NO	RESTRICTED TO
		WEIGHT	A3	00779	C=1734577	-
CUSTOMER DRAWING			SCALE	SHEET	REV	
			-	3 OF 3	C4	