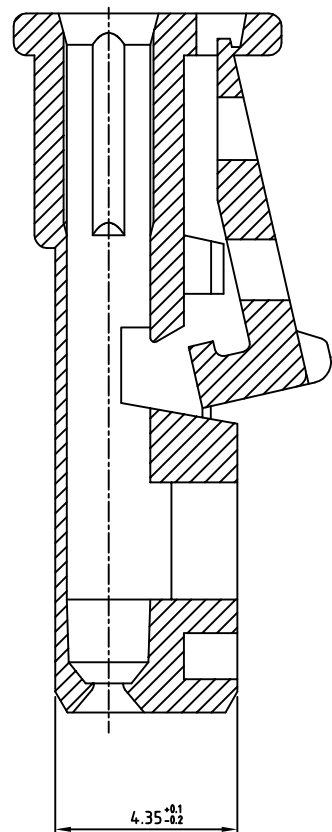
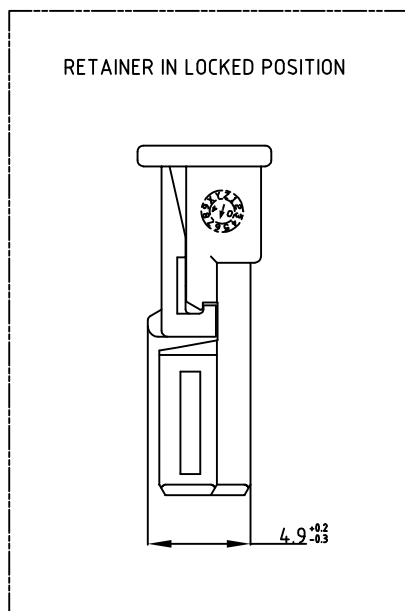
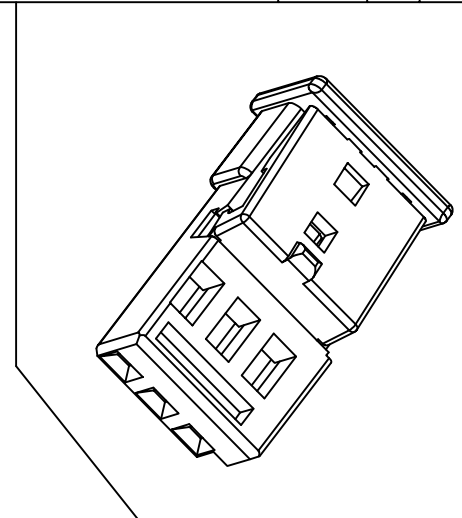
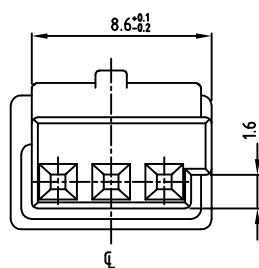
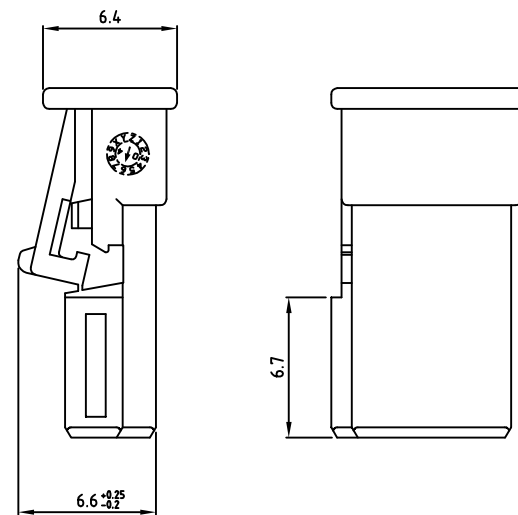
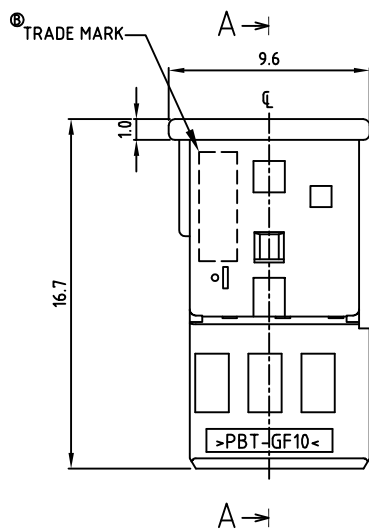
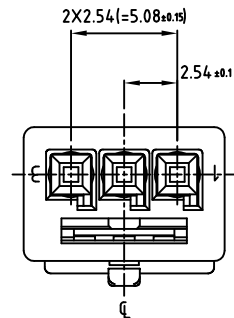


REVISIONS					
P	LTR	DESCRIPTION	DATE	DWN	APVD
A		REVISED (FC00-0030-05)	25JAN'05	YD	CS
B		REVISED (ECR-10-024376)	08DEC'10	SJ	HG
B1		REVISED (ECR-17-016653)	13NOV'17	HH	YJ



SECTION A-A
SCALE 8:1



RETAINER IN LOCKED POSITION

NOTES

- GENERAL TOLERANCE : DIMENSION ± 0.3 ANGLE $\pm 3^\circ$
- SUITABLE FOR WIRE SIZE RANGE : 0.2-0.75mm²
- CONDITION AS DELIVERY : RETAINER IN PRE-LOCKED POSITION
- SUITABLE FOR PIN HEADER ASS'Y HSG : P/N X-1743156-X
- APPLICABLE RECEPTACLE CONTACT P/N ;

WIRE SIZE (mm ²)	0.2 - 0.5	0.75
PART NO.	0-928999-1	0-963715-1

PART NO.	DESCRIPTION	MATERIAL	COLOR
0-1743164-7	MQS PLUG HOUSING, 3POS	PBT-GF10	GREEN
0-1743164-2	MQS PLUG HOUSING, 3POS	PBT-GF10	BLACK
0-1743164-1	MQS PLUG HOUSING, 3POS	PBT-GF10	NATURAL

THIS DRAWING IS A CONTROLLED DOCUMENT.		DWN S.J. CHOI				
DIMENSIONS: MM		CHK J.W. JUNG				
TOLERANCES UNLESS OTHERWISE SPECIFIED: SEE NOTES		APVD H.G. CHO	NAME MQS LUG HOUSING, 3POS			
MATERIAL SEE TABLE		FINISH -	APPLICATION SPEC -	SIZE A2	CAGE CODE 00779	DRAWING NO. C-1743164
CUSTOMER DRAWING			RESTRICTED TO -	SCALE 2:1	SHEET 1 OF 1	REV B1

Mouser Electronics

Authorized Distributor

Click to View Pricing, Inventory, Delivery & Lifecycle Information:

[TE Connectivity:](#)

[1743164-2](#)