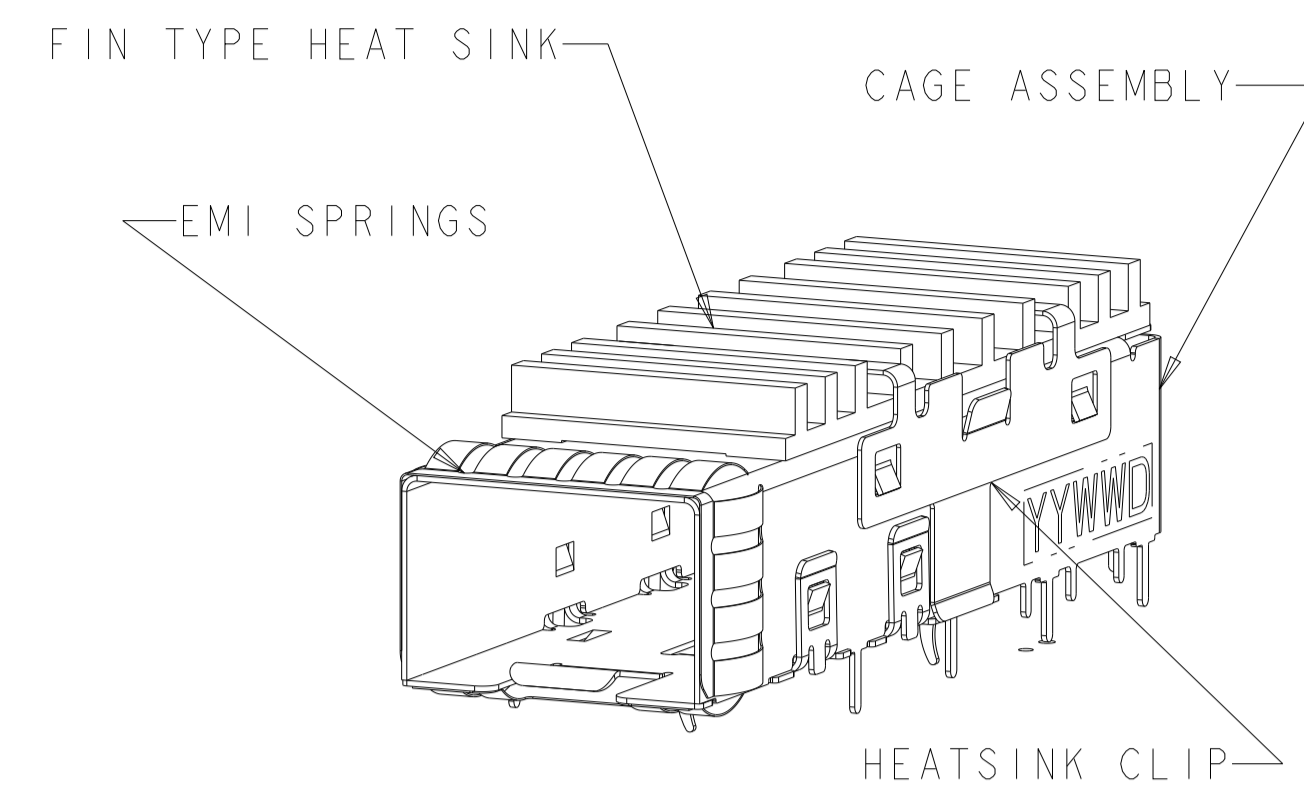
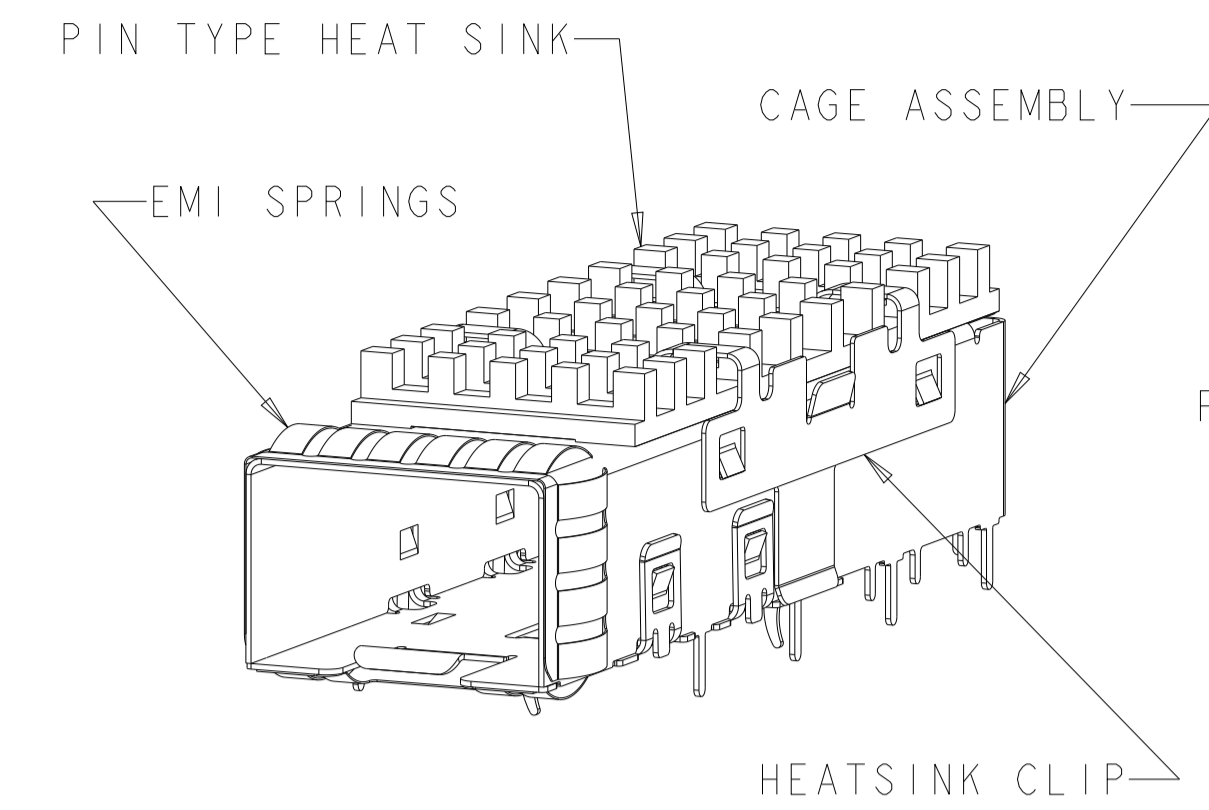


LOC	DIST	REVISIONS					
GP	00	P	LTN	DESCRIPTION	DATE	DWN	APVD
		E		REVISED PER ECO-11-019224	05JAN2012	TX	AC
		E1		REVISED PER ECO-13-014600	10OCT2013	PP	SH
		E2		ADD NEW DASH NUMBER 2007193-4	12OCT2021	SZ	SZ
		E3		CHANGE MYLAR TO 14 X 19MM PER REQ'	03NOV2021	SZ	SZ

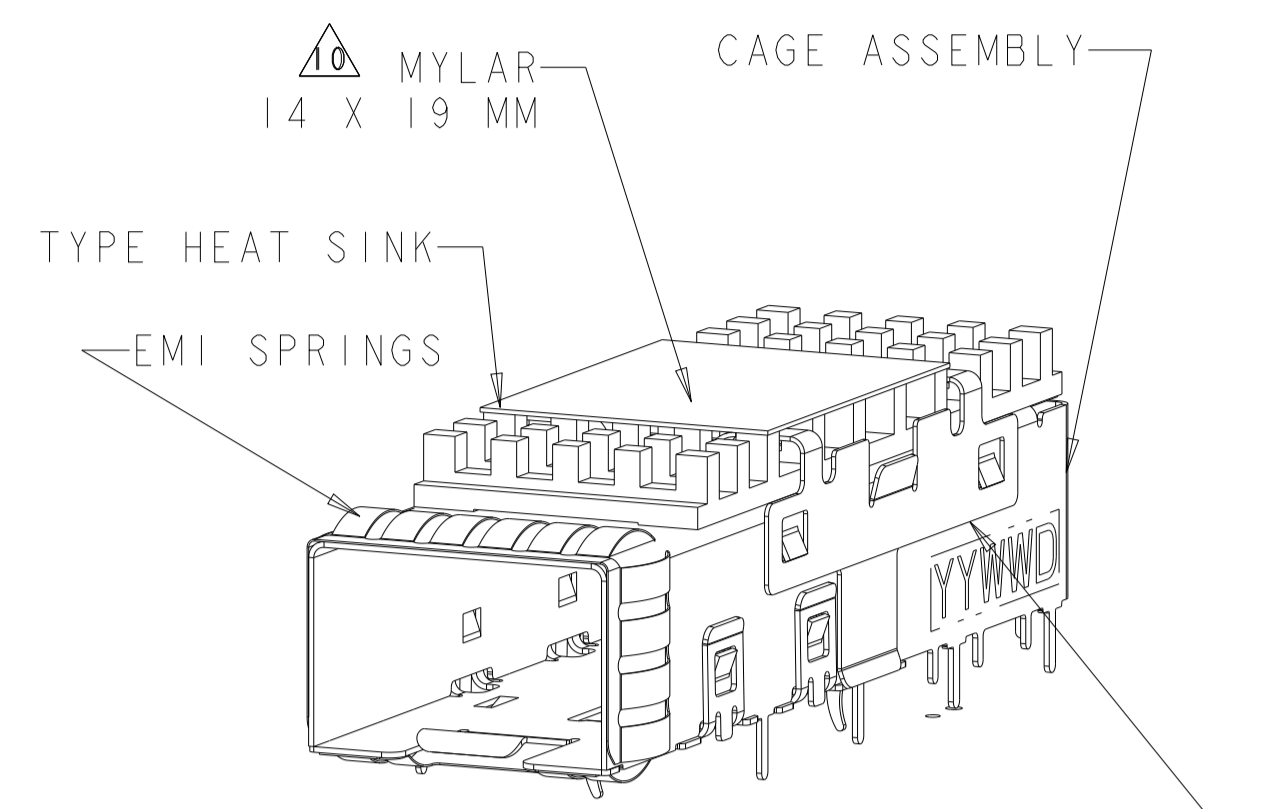
- 1 MATERIAL:  
 CAGE ASSEMBLY - NICKEL-SILVER ALLOY.  
 EMI SPRINGS - COPPER ALLOY.  
 HEATSINK - ALUMINUM ALLOY.  
 HEATSINK CLIP - STAINLESS STEEL.
- 2 FINISH:  
 HEATSINK - ELECTROLESS NICKEL.  
 HEATSINK CLIP - PASSIVATE.  
 EMI SPRINGS - 0.8µm MIN MATTE TIN OVER 0.8µm MIN NICKEL.  
 NON PLATED EDGES PERMISSIBLE.
- 3. MATES WITH SFP MSA COMPLIANT TRANSCEIVERS.
- 4 PADS AND VIAS CHASSIS GROUND.
- 5 DATUMS AND BASIC DIMENSIONS ESTABLISHED BY CUSTOMER.
- 6. MINIMUM PC BOARD THICKNESS:  
 SINGLE SIDED = 1.50mm
- 7 DIMENSIONS APPLIES PRIOR TO INSERTION OF SFP MODULE.
- 8. CAGE ASSEMBLY, HEATSINK CLIP AND HEATSINK SHIPPED ASSEMBLED.
- 9. NOTE DELETED
- 10 TO BE REMOVED IMMEDIATELY BY CUSTOMER AFTER IR REFLOW PROCESS.



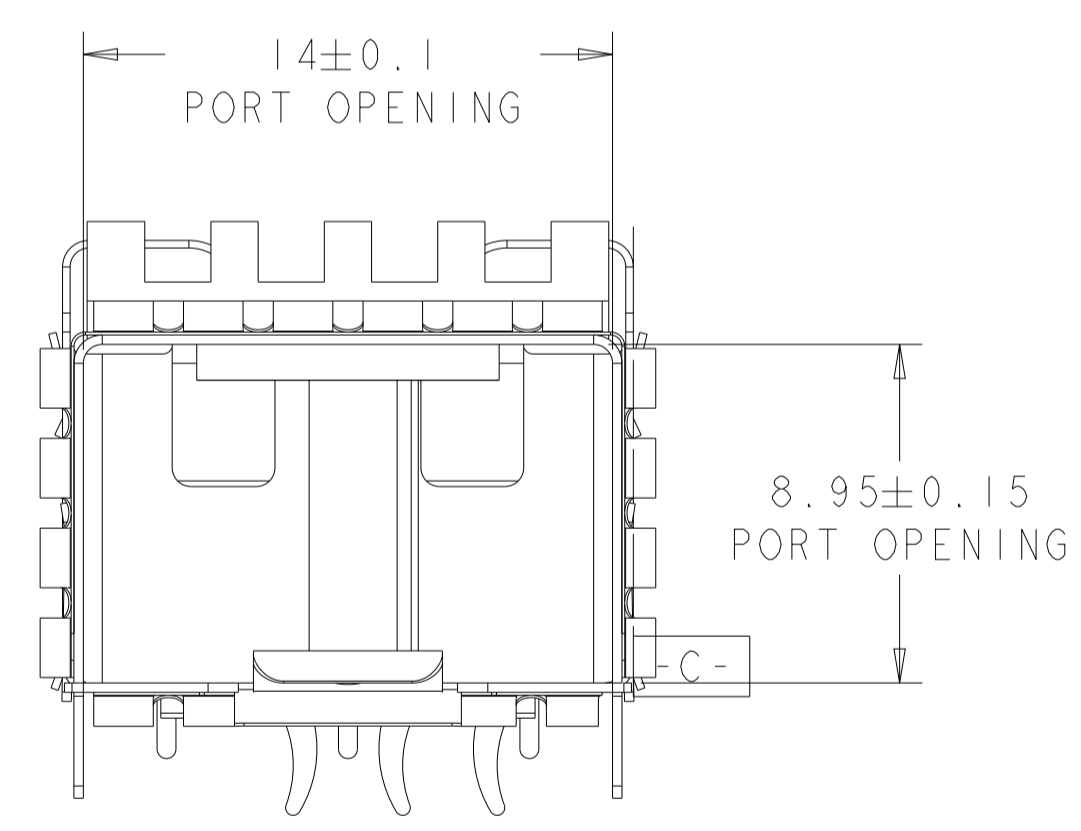
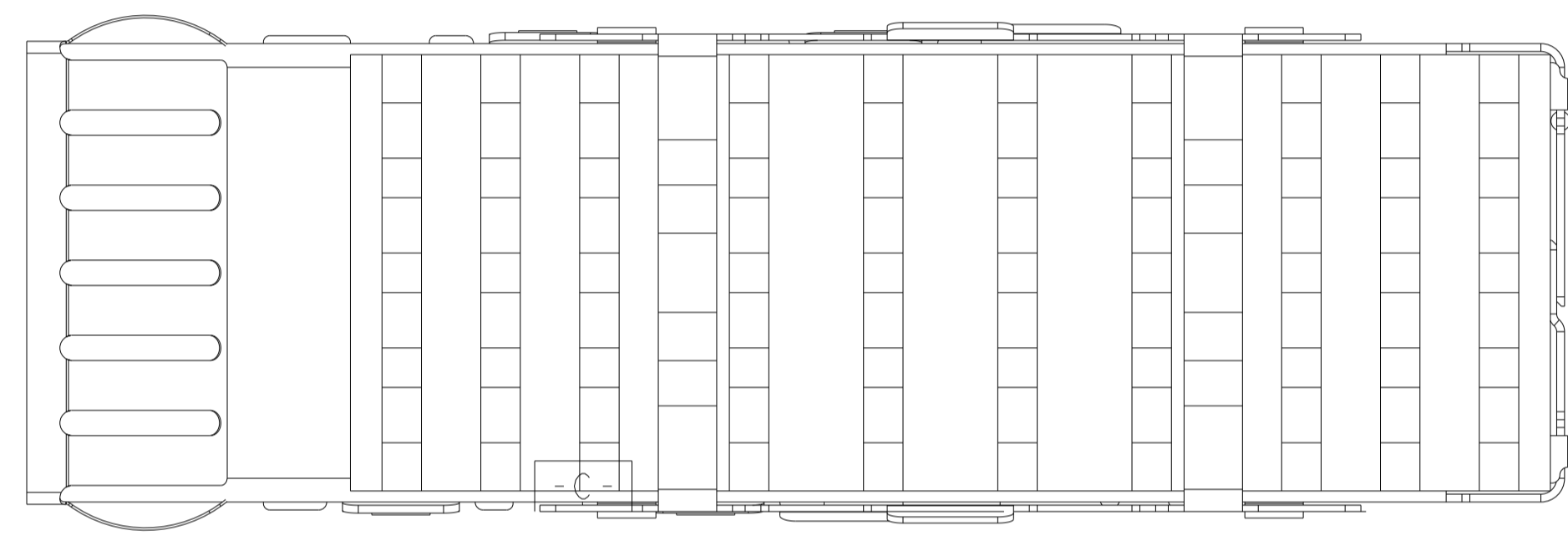
2007193-2  
SCALE 3:1



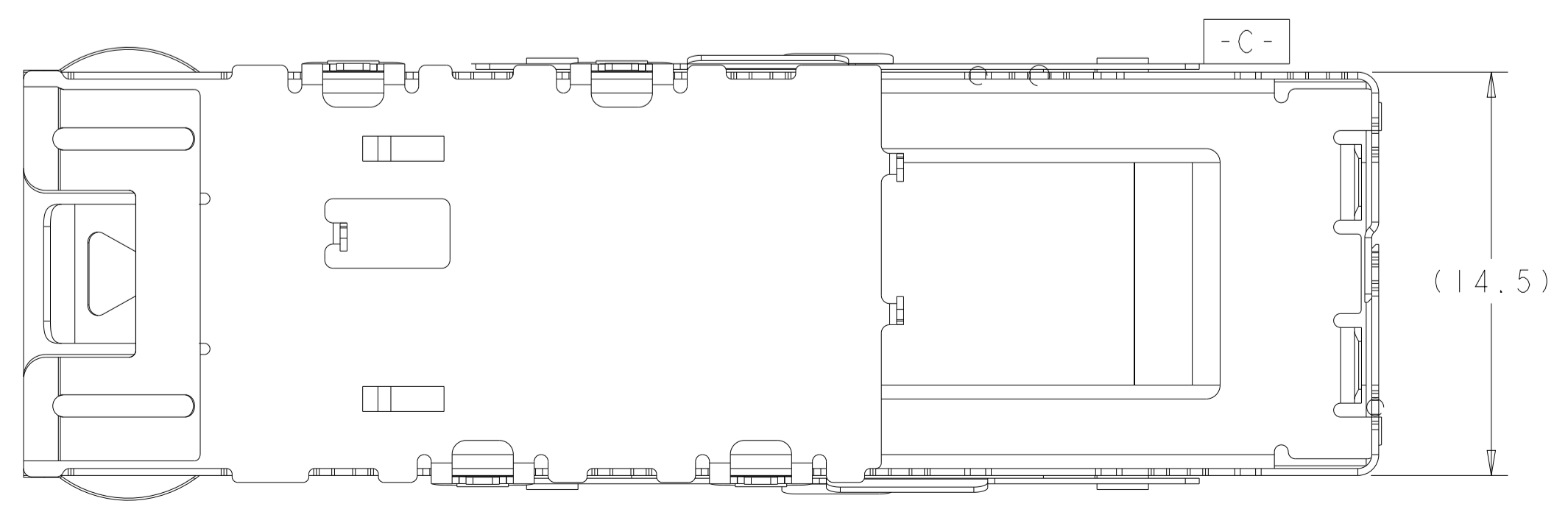
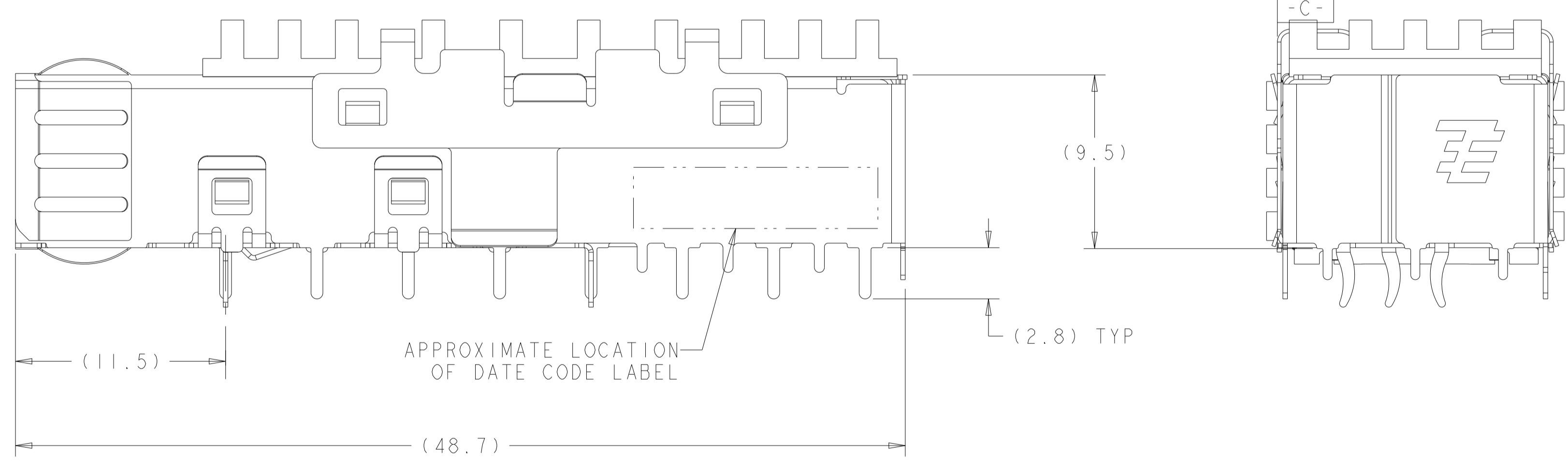
2007193-1  
SCALE 3:1



2007193-4  
SCALE 3:1



SCALE 5:1



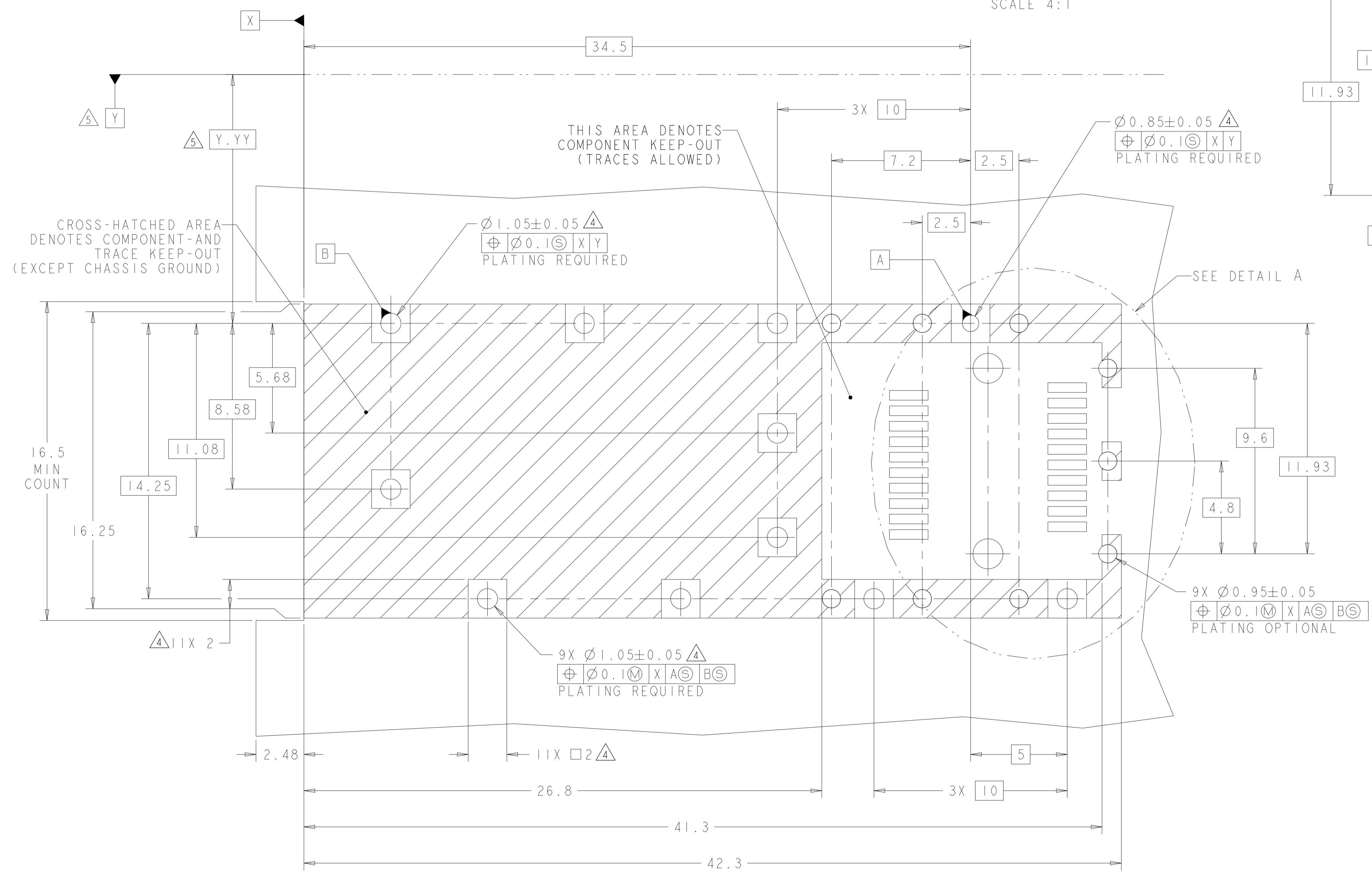
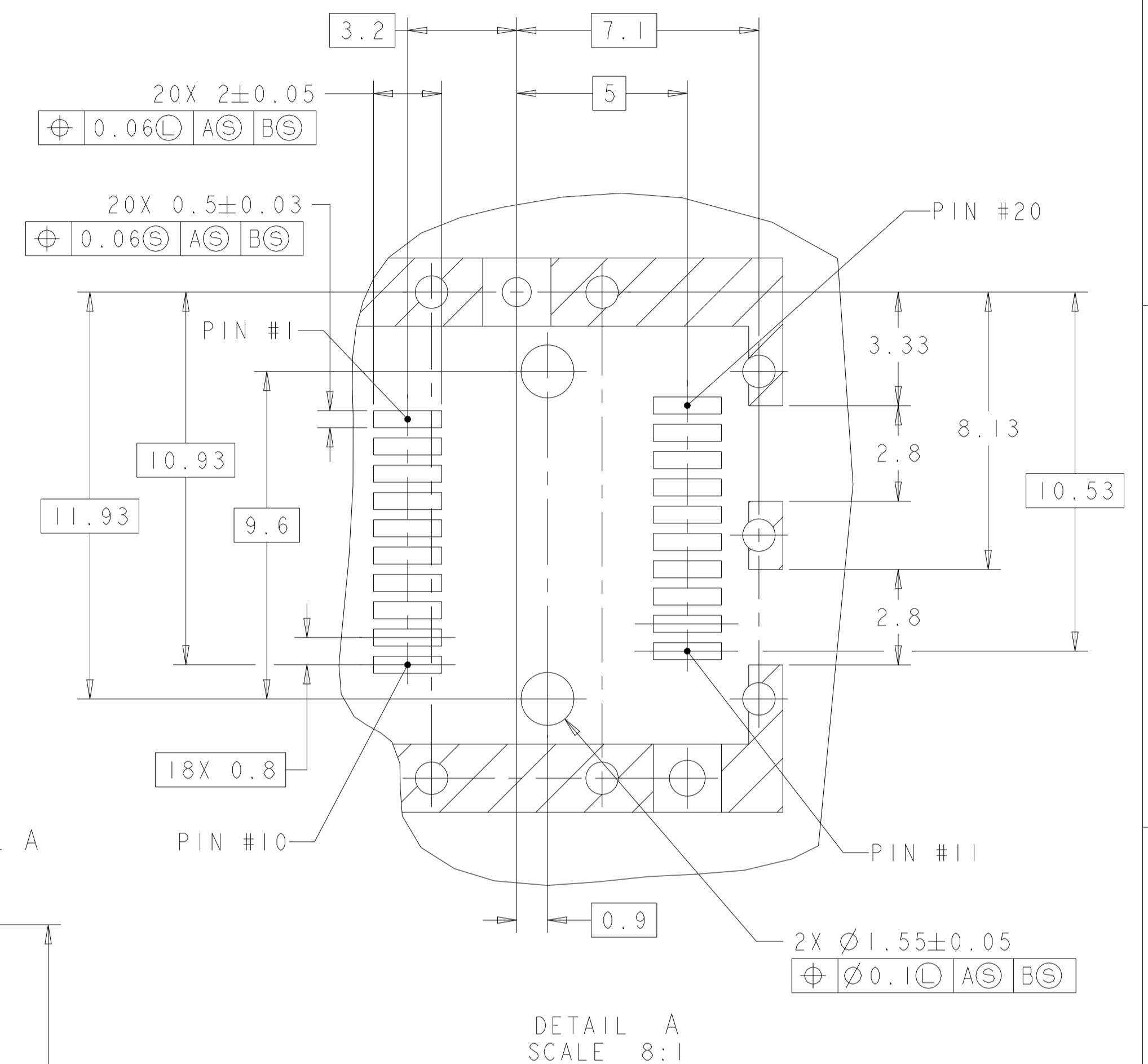
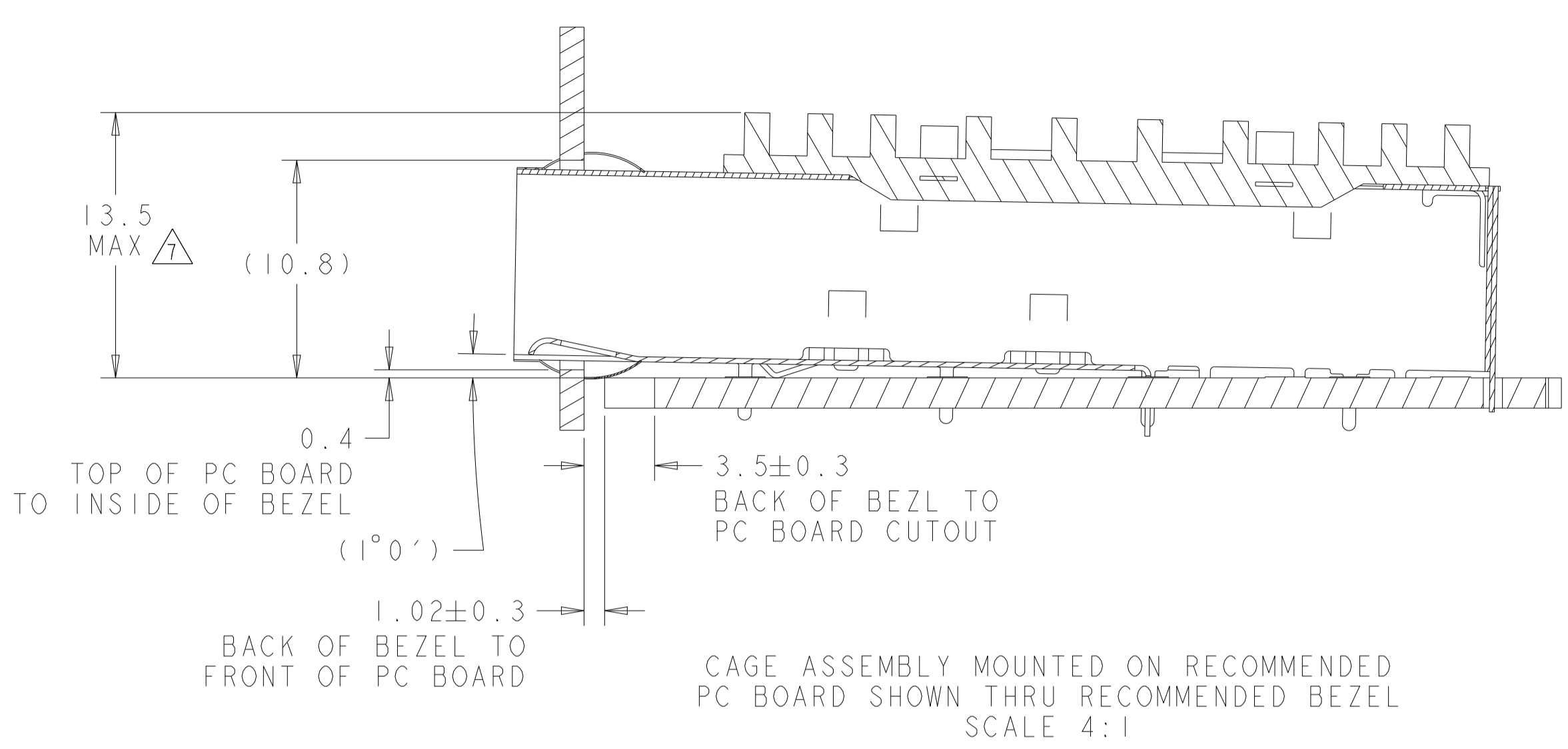
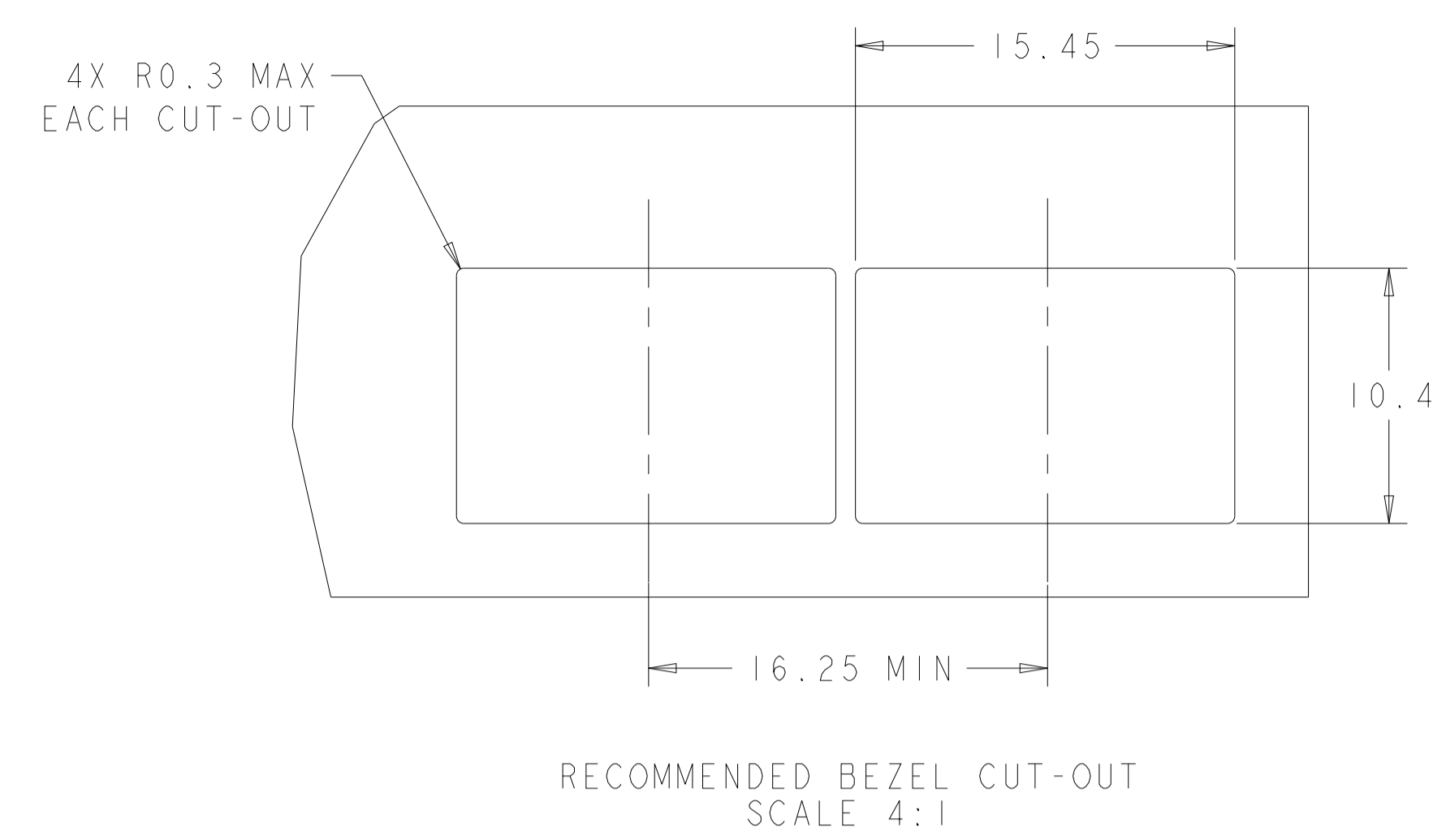
YES	PIN TYPE HEAT SINK	2007193-4
NO	FIN TYPE HEAT SINK	2007193-2
NO	PIN TYPE HEAT SINK	2007193-1
MYLAR	HEAT SINK	PART NUMBER

THIS DRAWING IS A CONTROLLED DOCUMENT.

DIMENSIONS:	TOLERANCES UNLESS OTHERWISE SPECIFIED:	DWN Z.M. REAM 10JUL2007	CHK M.B. SCHMITT 10JUL2007	APVD R.H. WERTZ 10JUL2007
mm	0 PLC ±0.1 1 PLC ±0.1 2 PLC ±0.1 3 PLC ±0.05 4 PLC ±0.05	NAME SFP+ IXI CAGE ASSY W/ HEATSINK PCI SOLDER TAILS EXTERNAL EMI SPRING FINGERS	PRODUCT SPEC 108-2364	APPLICATION SPEC 114-13120
MATERIAL	FINISH	SIZE A1	CAGE CODE 00779	DRAWING NO. C=2007193
1	2	Customer Drawing	SCALE 6:1	SHEET 1 OF 2 REV E3

4805 (3/11)

LOC	DIST	REVISIONS					
GP	00	P	LYN	DESCRIPTION	DATE	OWN	APVD
		-	-	SEE SHEET 1	-	-	-



THIS DRAWING IS A CONTROLLED DOCUMENT.		OWN Z. M. BEAM	10JUL2007	TE Connectivity NAME SFP+ 1X1 CAGE ASSY W/ HEATSINK PCI SOLDER TAILS EXTERNAL EMI SPRING FINGERS SIZE CAGE CODE DRAWING NO RESTRICTED TO A100779C=2007193
DIMENSIONS:		CHK M. B. SCHMITT	10JUL2007	
TOLERANCES UNLESS OTHERWISE SPECIFIED:		APVD R. H. WERTZ	10JUL2007	
0 PLC ±0.1 1 PLC ±0.1 2 PLC ±0.1 3 PLC ±0.05 4 PLC ±0.05 ANGLES ±0.05 FINISH		PRODUCT SPEC 108-2364 APPLICATION SPEC 114-13120	WEIGHT	
MATERIAL		Customer Drawing		SCALE 6:1 SHEET 2 OF 2 REV E3

# Mouser Electronics

Authorized Distributor

Click to View Pricing, Inventory, Delivery & Lifecycle Information:

[TE Connectivity:](#)

[2007193-1](#)