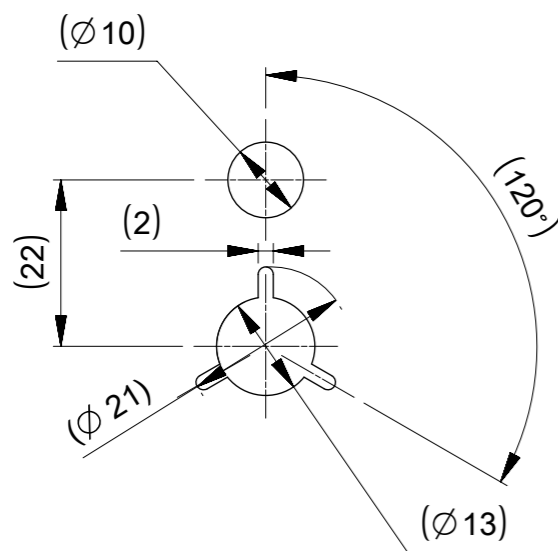
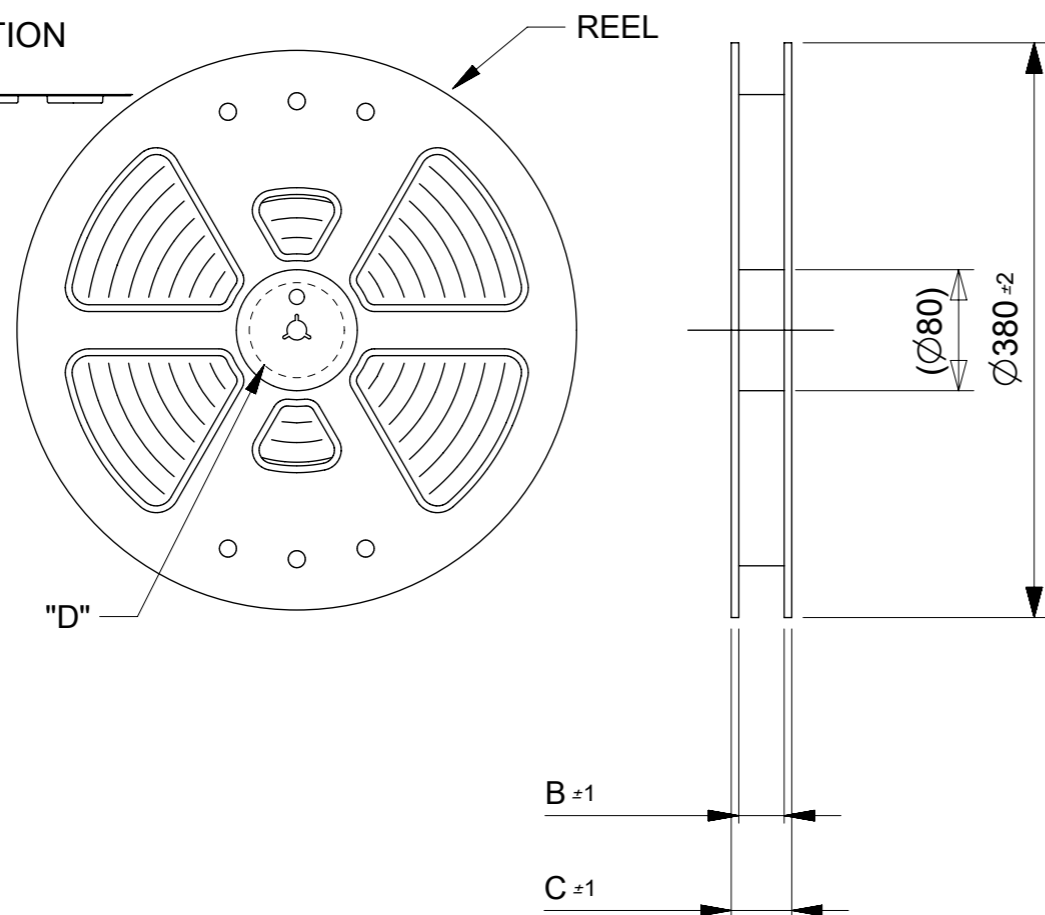


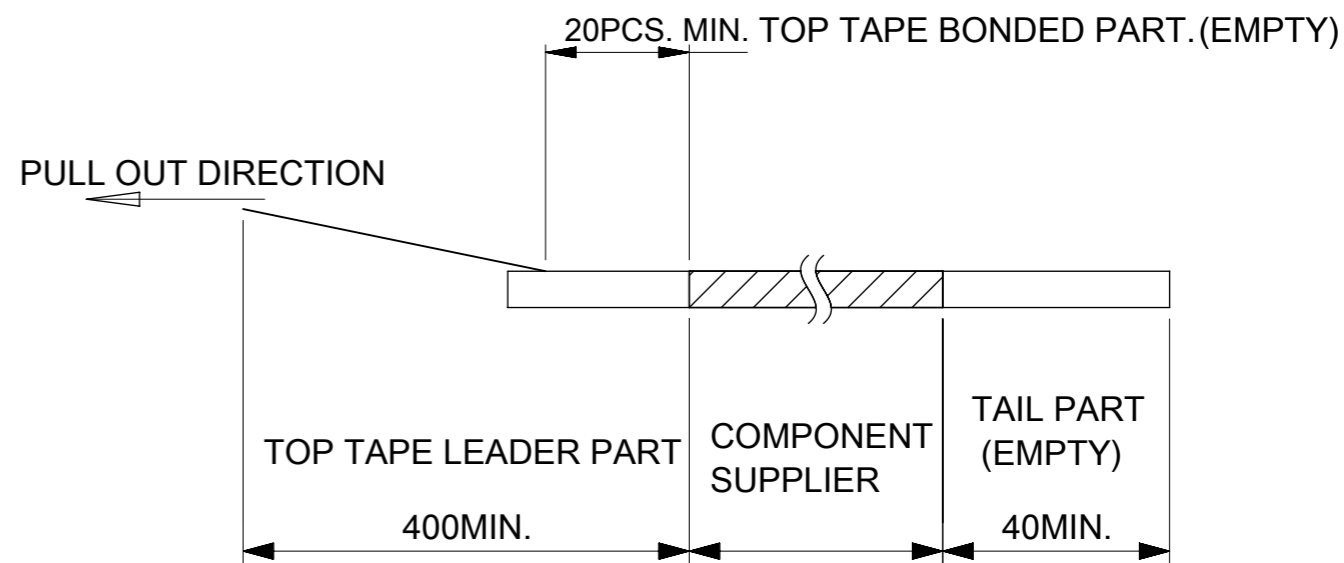
PULL OUT DIRECTION



DETAIL "D"

NOTES

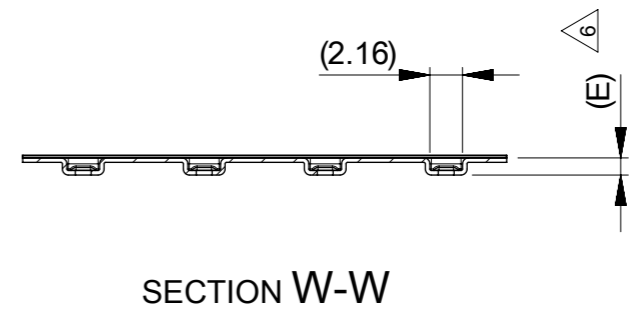
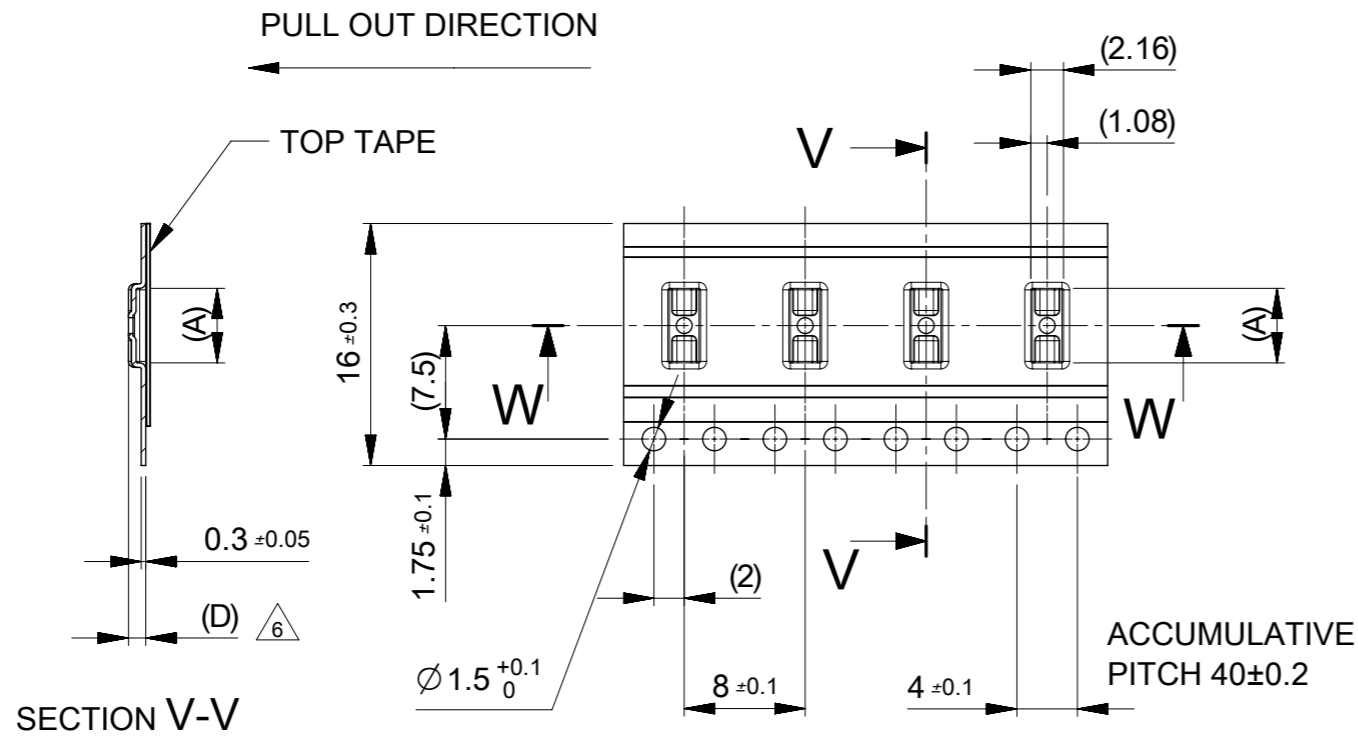
- RE DETAILED DIMENSION, SEE PRODUCT DRAWING.
- NUMBER OF CONNECTORS : 8000 PCS/REEL.
- LEAD TAPE LENGTH.



- TOP TAPE PEEL FORCE IS DEFINED BY IEC60286-3
- MATERIAL
CARRER TAPE :POLYSTYRENE
TOP TAPE :PET , OTHER
REEL :POLYSTYRENE(PS)(RECYCLE MATERIAL CONTAINED)
- Only 6 circuit is different in this dimension.

MODEL NO. 505070-**22

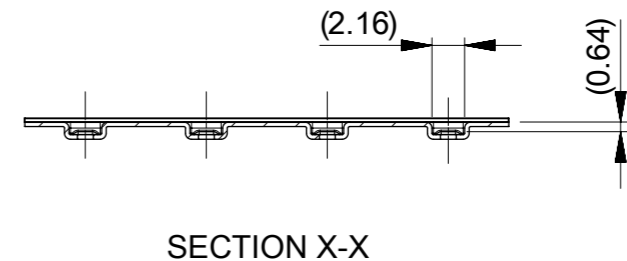
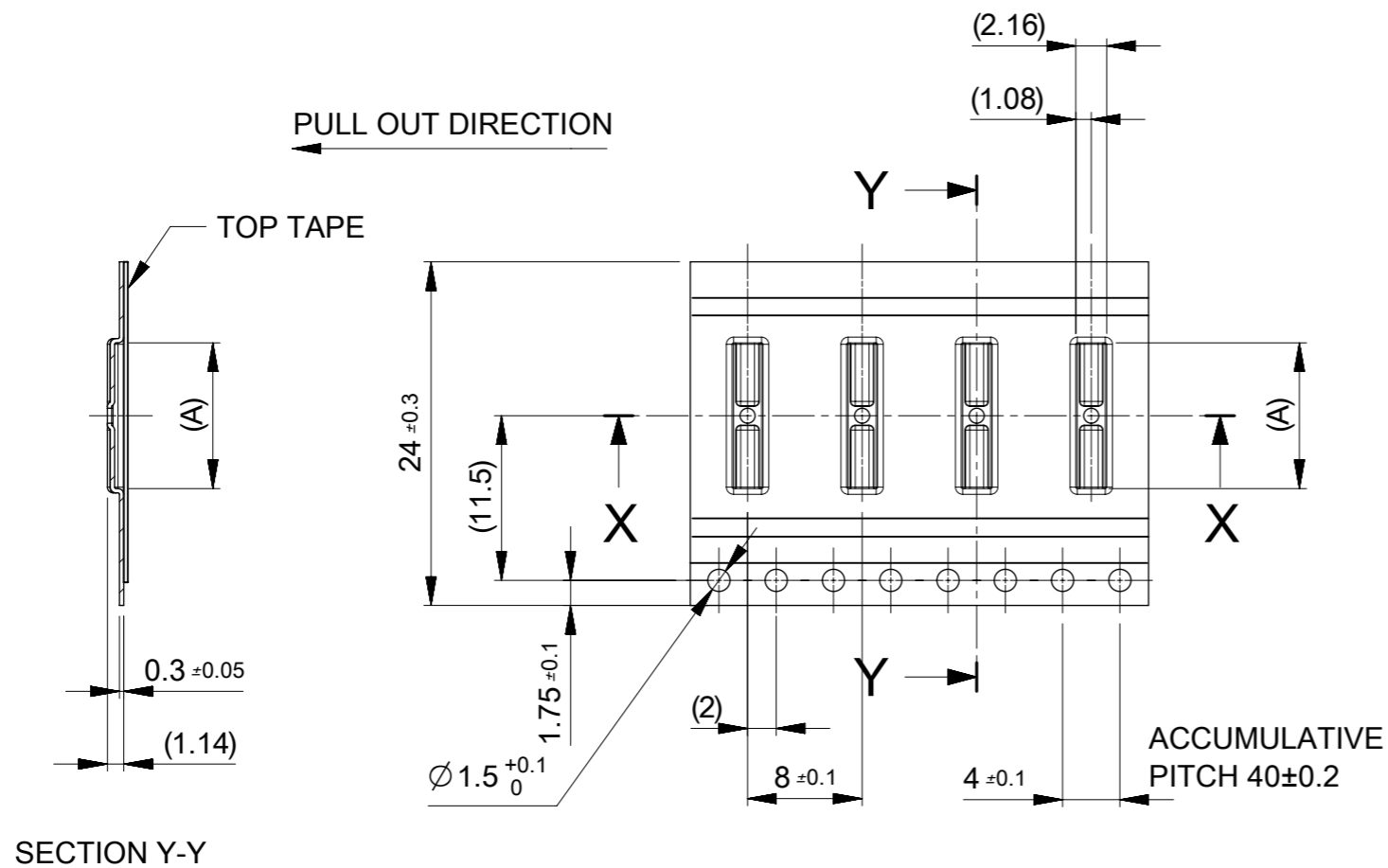
THIS DRAWING CONTAINS INFORMATION THAT IS PROPRIETARY TO MOLEX ELECTRONIC TECHNOLOGIES, LLC AND SHOULD NOT BE USED WITHOUT WRITTEN PERMISSION		CURRENT REV DESC: RELEASED		molex	
DIMENSION UNITS	SCALE	EC NO: 612826			
mm	1:5	DRWN: GSHARMA 2019/02/22		PRODUCT CUSTOMER DRAWING	
GENERAL TOLERANCES (UNLESS SPECIFIED)		CHK'D: MSASAO 2019/02/27		DOCUMENT NUMBER	
ANGULAR TOL	± 1.0°	APPR: MSASAO 2019/02/27		5050700000	
4 PLACES	± 0.01	INITIAL REVISION:		DOC TYPE	DOC PART
3 PLACES	± 0.03	DRWN: TNISHIDA02 2017/03/28		PSD	007
2 PLACES	± 0.05	APPR: TKUSUHARA01 2017/04/03		REVISION	B
1 PLACE	± 0.1	DRAFT WHERE APPLICABLE MUST REMAIN WITHIN DIMENSIONS		SHEET NUMBER	
0 PLACES	± 0.2	THIRD ANGLE PROJECTION	DRAWING	SERIES	MATERIAL NUMBER
			A3-SIZE	505070	CUSTOMER
				SEE CHART	GENERAL
				1 OF 3	



16	0.64	1.14	21.4	17.4	6.68	505070-3022	○	---	30				
					5.63	505070-2422	○	---	24				
					5.28	505070-2222	○	---	22				
					4.93	505070-2022	○	---	20				
					4.58	505070-1822	---	---	18				
					4.23	505070-1622	○	---	16				
					3.88	505070-1422	○	---	14				
					3.53	505070-1222	○	---	12				
					3.18	505070-1022	○	---	10				
					2.78	505070-0822	○	---	8				
					2.43	505070-0622	○	---	6				
キャリアテープ幅 CARRIER TAPE WIDTH					(E)	(D)	C	B	(A)	MATERIAL No.	HIGH VOL. TOOL	LOW VOL. TOOL	CIRCUIT
											SAMPLE PREPARATION		

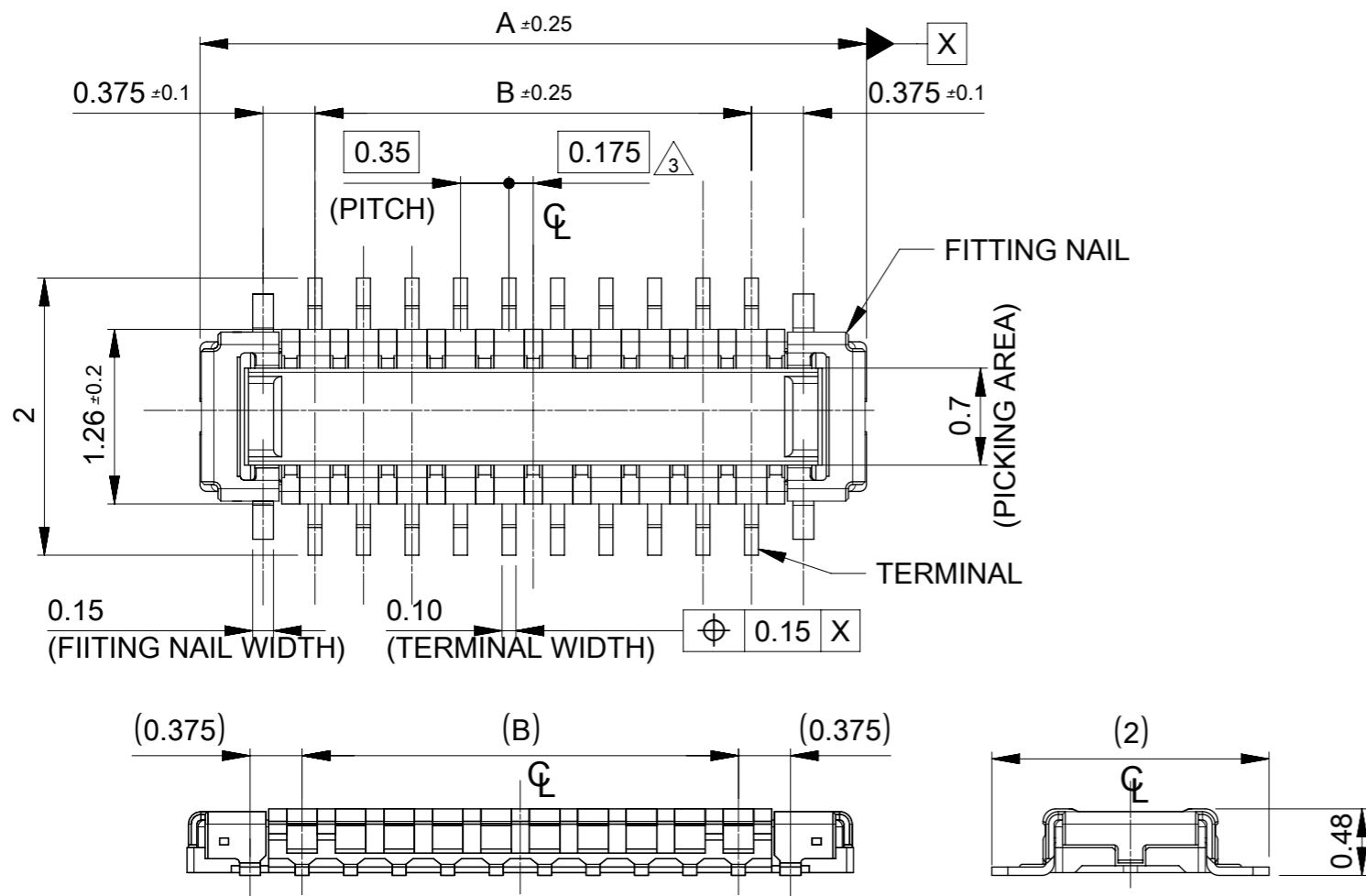
THIS DRAWING CONTAINS INFORMATION THAT IS PROPRIETARY TO MOLEX ELECTRONIC TECHNOLOGIES, LLC AND SHOULD NOT BE USED WITHOUT WRITTEN PERMISSION

DIMENSION UNITS mm	SCALE 2:1	CURRENT REV DESC: RELEASED					
GENERAL TOLERANCES (UNLESS SPECIFIED)		<p>molex</p> <p>0.35 BB CONN. H=0.6 SSB6 RP PLUG ASSY</p> <p>PRODUCT CUSTOMER DRAWING</p>					
ANGULAR TOL	± 1.0°						
4 PLACES	± 0.01						
3 PLACES	± 0.03						
2 PLACES	± 0.05						
1 PLACE	± 0.1						
0 PLACES	± 0.2	<p>INITIAL REVISION:</p> <p>DRWN: TNISHIDA02 2017/03/28</p> <p>APPR: TKUSUHARA01 2017/04/03</p>					
DRAFT WHERE APPLICABLE MUST REMAIN WITHIN DIMENSIONS		THIRD ANGLE PROJECTION	DRAWING A3-SIZE	SERIES 505070	MATERIAL NUMBER SEE CHART	CUSTOMER GENERAL	SHEET NUMBER 2 OF 3



24	29.4	25.4	12.63	505070-6422	---	---	64
			11.93	505070-6022	---	---	60
			10.88	505070-5422	○	---	54
			10.18	505070-5022	○	---	50
			9.83	505070-4822	○	---	48
			9.48	505070-4622	---	---	46
			8.78	505070-4222	○	---	42
			8.43	505070-4022	○	---	40
			7.38	505070-3422	○	---	34
キャリアテープ幅 CARRIER TAPE WIDTH	C	B	(A)	MATERIAL No.	HIGH VOL TOOL SAMPLE PREPARATION	LOW VOL TOOL	CIRCUIT

THIS DRAWING CONTAINS INFORMATION THAT IS PROPRIETARY TO MOLEX ELECTRONIC TECHNOLOGIES, LLC AND SHOULD NOT BE USED WITHOUT WRITTEN PERMISSION												
DIMENSION UNITS mm		SCALE 2:1		CURRENT REV DESC: RELEASED								
GENERAL TOLERANCES (UNLESS SPECIFIED)				EC NO: 612826 DRWN: GSHARMA 2019/02/22 CHK'D: MSASAO 2019/02/27 APPR: MSASAO 2019/02/27			molex 0.35 BB CONN. H=0.6 SSB6 RP PLUG ASSY					
ANGULAR TOL ± 1.0°												
4 PLACES ± 0.01							PRODUCT CUSTOMER DRAWING					
3 PLACES ± 0.03							DOCUMENT NUMBER			DOC TYPE	DOC PART	REVISION
2 PLACES ± 0.05							INITIAL REVISION:			5050700000	PSD	007
1 PLACE ± 0.1				DRWN: TNISHIDA02 2017/03/28			MATERIAL NUMBER			CUSTOMER		
0 PLACES ± 0.2				APPR: TKUSUHARA01 2017/04/03			SEE CHART			GENERAL		
DRAFT WHERE APPLICABLE MUST REMAIN WITHIN DIMENSIONS		THIRD ANGLE PROJECTION		DRAWING	SERIES	SHEET NUMBER		3 OF 3				
				A3-SIZE	505070							



1 MATERIAL
 WAFER: LIQUID CRYSTAL POLYMER UL94V-0 (COLOR: BLACK)
 TERMINAL: COPPER ALLOY
 FITTING NAIL: COPPER ALLOY

2 PLATING
 TERMINAL:
 CONTACT AREA: SEPARATED GOLD PLATING (0.1 MICROMETER MINIMUM).
 SOLDER TAIL AREA: SEPARATED GOLD PLATING.
 UNDERPLATE: NICKEL OVERALL.
 *DIVIDE INTO PARTS THE GOLD PLATING OF THE CONTACT AND THE TAIL PART BY THE NICKEL PLATING.

FITTING NAIL:
 CONTACT AREA: SEPARATED GOLD PLATING (0.1 MICROMETER MINIMUM).
 SOLDER TAIL AREA: SEPARATED GOLD PLATING.
 UNDERPLATE: NICKEL OVERALL.
 *DIVIDE INTO PARTS THE GOLD PLATING OF THE CONTACT AND THE TAIL PART BY THE NICKEL PLATING.
 *EVEN THOUGH GOLD PLATING ON THE TOP SURFACE OF NAIL MIGHT BE THIN, NO FUNCTIONAL PROBLEM.

- △₃ APPLY FOR (CIRCUIT/2)=EVEN.
- 4 MATE WITH :505066-**22 (H=0.6) , 505270**12 (H=0.7)
- 5 TAIL AND FITTING NAIL COPLANARITY TO BE 0.08 MAXIMUM.
- △₆ PROHIBITED AREA OF PATTERN WIRING AND SOLDER.
 (FOR EACH AREA, THE WIRING THAT TOUCHES ON THE SOLDER CAN BE ATTACHED, THEN COVERED WITH A FILM TO KEEP SOLDER OUT).
- △₇ THIS DIMENSION SHOWS THE DIMENSION BETWEEN SOLDERING SURFACE OF SOLDER TAILS.

14.76	14.16	11.90	13.56	505070-7022	---	---	70
13.71	13.11	10.85	12.51	505070-6422	---	---	64
13.01	12.41	10.15	11.81	505070-6022	---	---	60
12.66	12.06	9.80	11.46	505070-5822	---	---	58
11.96	11.36	9.10	10.76	505070-5422	○	---	54
11.26	10.66	8.40	10.06	505070-5022	○	---	50
10.91	10.31	8.05	9.71	505070-4822	○	---	48
10.56	9.96	7.70	9.36	505070-4622	---	---	46
9.86	9.26	7.00	8.66	505070-4222	○	---	42
9.51	8.91	6.65	8.31	505070-4022	○	---	40
9.16	8.56	6.30	7.96	505070-3822	---	---	38
8.46	7.86	5.60	7.26	505070-3422	○	---	34
7.76	7.16	4.90	6.56	505070-3022	○	---	30
6.71	6.11	3.85	5.51	505070-2422	○	---	24
6.36	5.76	3.50	5.16	505070-2222	○	---	22
6.01	5.41	3.15	4.81	505070-2022	○	---	20
5.66	5.06	2.80	4.46	505070-1822	---	---	18
5.31	4.71	2.45	4.11	505070-1622	○	---	16
4.96	4.36	2.10	3.76	505070-1422	○	---	14
4.61	4.01	1.75	3.41	505070-1222	○	---	12
4.26	3.66	1.40	3.06	505070-1022	○	---	10
3.91	3.31	1.05	2.71	505070-0822	○	---	8
3.56	2.96	0.70	2.36	505070-0622	○	---	6

D	C	B	A	EMBOSSED TAPE PACKAGE	HIGH VOL. TOOL	LOW VOL. TOOL	CIRCUIT
				ORDER NO.	SAMPLE PREPARATION ○ : TOOLED △ : WORK IN PROCESS ---: TOOLING TO BE CONFIRMED		

CONNECTOR SERIES NO. : 505070-**19

THIS DRAWING CONTAINS INFORMATION THAT IS PROPRIETARY TO MOLEX ELECTRONIC TECHNOLOGIES, LLC AND SHOULD NOT BE USED WITHOUT WRITTEN PERMISSION

DIMENSION UNITS: mm SCALE: 20:1 CURRENT REV DESC: RELEASED

molex

0.35 BB CONN. SSB6 RP PLUG ASSY

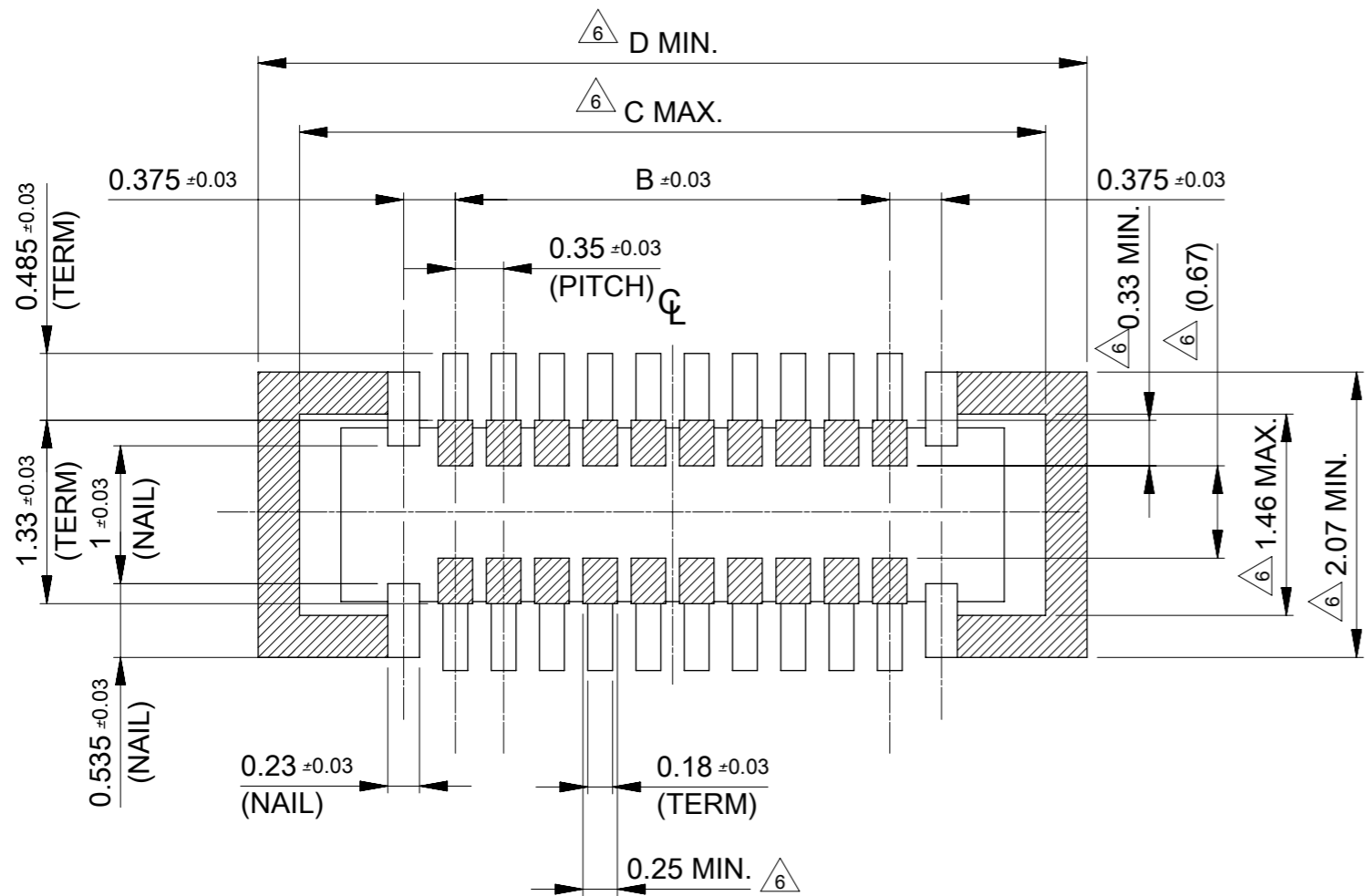
PRODUCT CUSTOMER DRAWING

EC NO: 646121 DRWN: YSEKI01 2019/09/19
 CHK'D: STERUKI 2020/09/28
 APPR: YNAITO 2020/09/28

INITIAL REVISION:
 DRWN: TNISHIDA02 2017/03/28
 APPR: TKUSUHARA01 2017/04/03

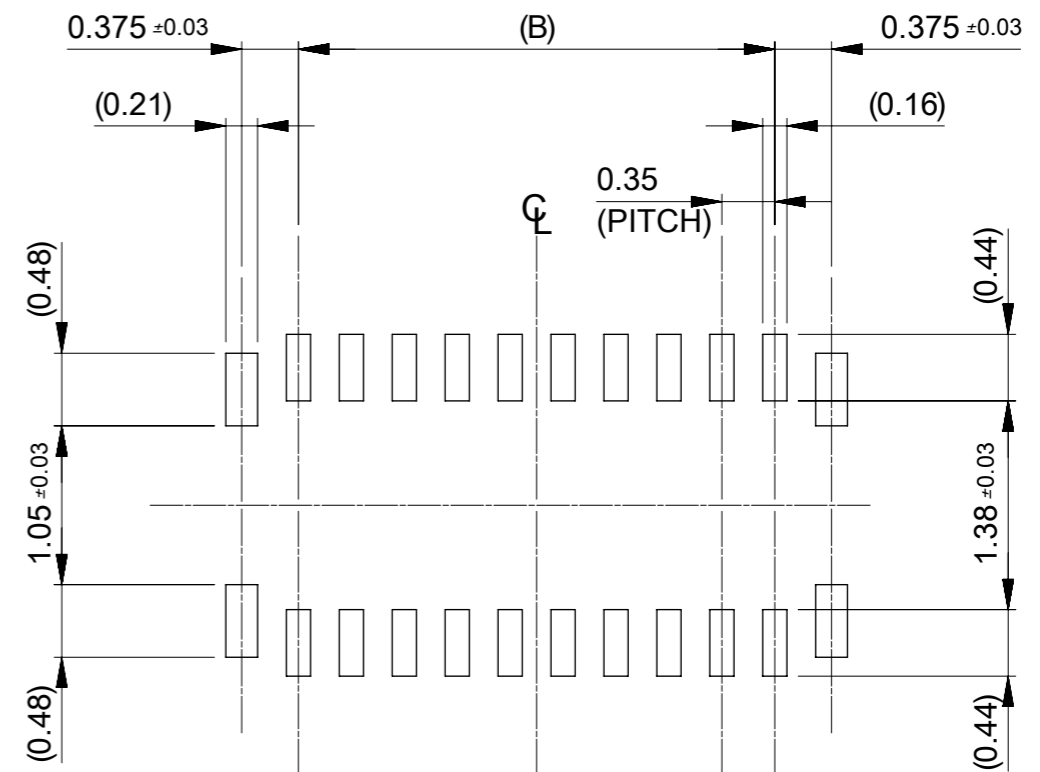
DOCUMENT NUMBER: 5050701000 DOC TYPE: PSD DOC PART: 019 REVISION: C

DRAFT WHERE APPLICABLE MUST REMAIN WITHIN DIMENSIONS THIRD ANGLE PROJECTION DRAWING: A3-SIZE SERIES: 505070 MATERIAL NUMBER: SEE CHART CUSTOMER: GENERAL SHEET NUMBER: 1 OF 2



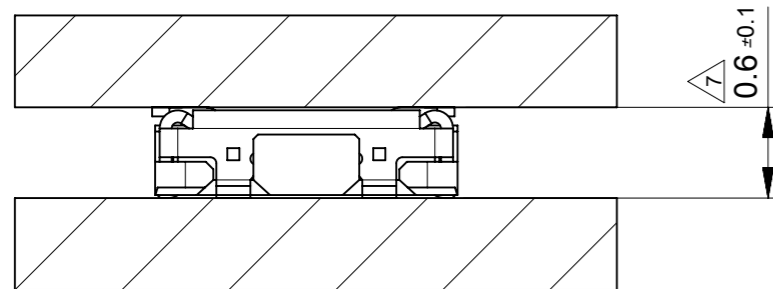
RECOMMENDED P.W.BOARD PATTERN LAYOUT(REFERENCE)

**△6 PROHIBITED AREA OF PATTERN WIRING AND SOLDER.
(FOR EACH AREA, THE WIRING THAT TOUCHES ON THE SOLDER
CAN BE ATTACHED, THEN COVERED WITH A FILM TO KEEP SOLDER OUT.)**

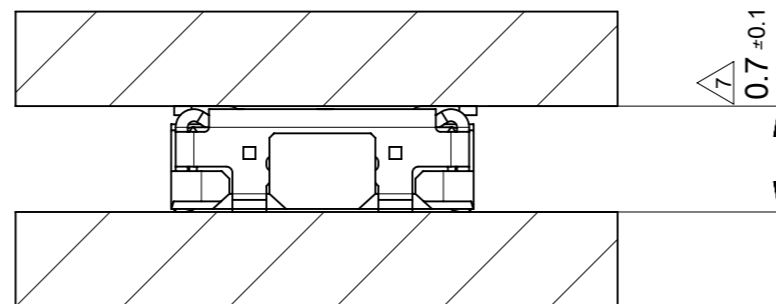


RECOMMENDED METAL MASK LAYOUT(REFERENCE)

**RECOMMENDED THICKNESS OF METAL MASK : t=0.08mm
RECOMMENDED OPEN APERTURE RATIO OF METAL MASK : 80%**



MATED CONDITION (505066/505070)



MATED CONDITION (505270/505070)

THIS DRAWING CONTAINS INFORMATION THAT IS PROPRIETARY TO MOLEX ELECTRONIC TECHNOLOGIES, LLC AND SHOULD NOT BE USED WITHOUT WRITTEN PERMISSION		CURRENT REV DESC: RELEASED		molex	
DIMENSION UNITS	SCALE				
mm	20:1			0.35 BB CONN. SSB6 RP PLUG ASSY	
GENERAL TOLERANCES (UNLESS SPECIFIED)				PRODUCT CUSTOMER DRAWING	
ANGULAR TOL	± 1.0 °			DOCUMENT NUMBER	
4 PLACES	± 0.01	EC NO: 646121	2019/09/19	5050701000	
3 PLACES	± 0.03	DRWN: YSEKI01	2020/09/28	DOC TYPE	DOC PART
2 PLACES	± 0.05	CHK'D: STERUKI	2020/09/28	PSD	019
1 PLACE	± 0.1	APPR: YNAITO	2020/09/28	C	
0 PLACES	± 0.2	INITIAL REVISION:		REVISION	
DRAFT WHERE APPLICABLE MUST REMAIN WITHIN DIMENSIONS		DRWN: TNISHIDA02	2017/03/28		
THIRD ANGLE PROJECTION		APPR: TKUSUHARA01	2017/04/03		
DRAWING		SERIES	MATERIAL NUMBER	CUSTOMER	
A3-SIZE		505070	SEE CHART	GENERAL	
SHEET NUMBER		2 OF 2			