

4

3

2

1

THIS DRAWING IS UNPUBLISHED.

RELEASED FOR PUBLICATION

© COPYRIGHT

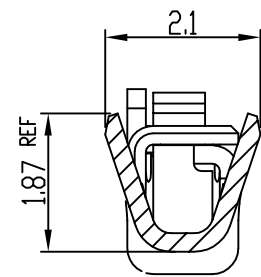
BY TYCO ELECTRONICS CORPORATION, ALL RIGHTS RESERVED.

LOC
DS

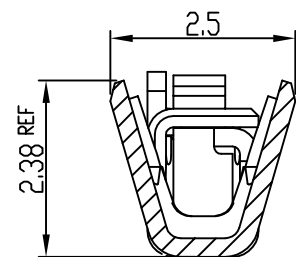
DIST
-

REVISIONS

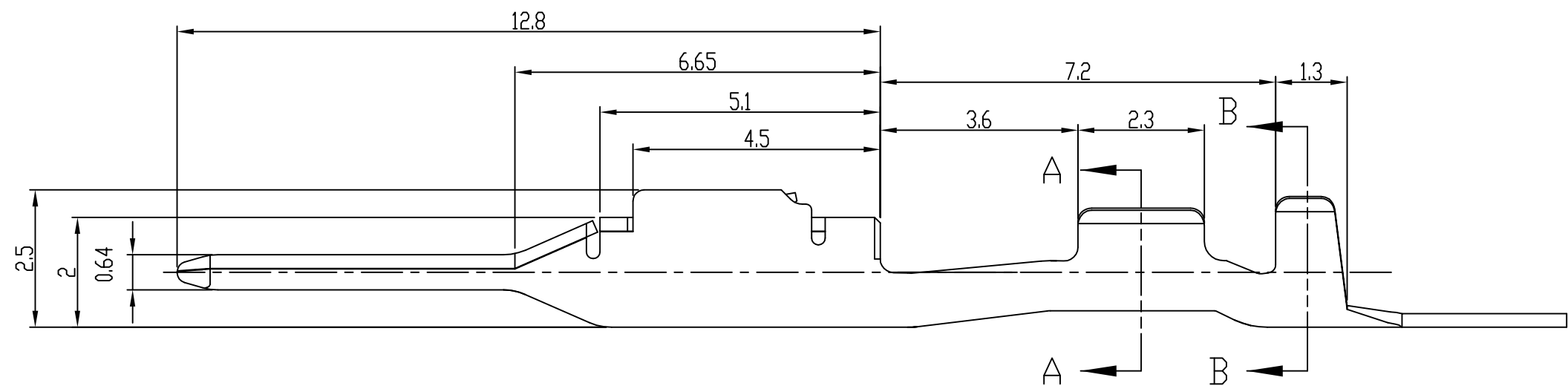
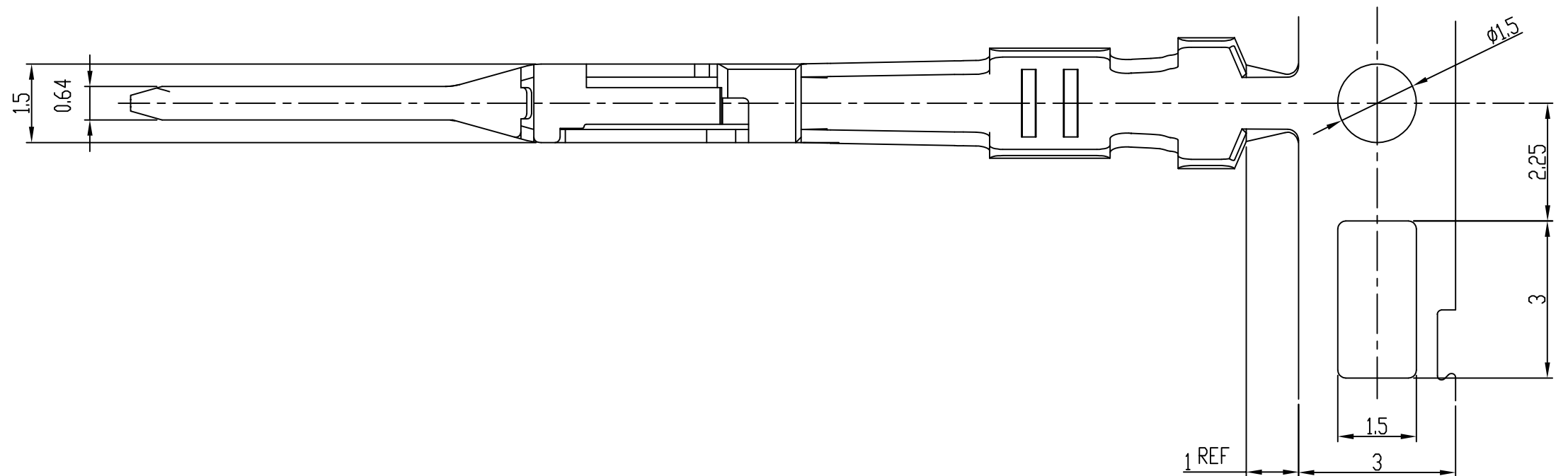
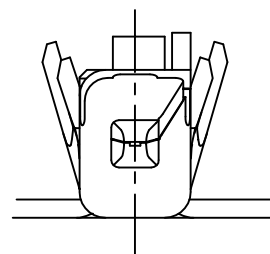
P	LTR	DESCRIPTION	DATE	DWN	APVD
	A1	REVISED (ECR-09-018695)	25.SEP.'09	KT	HG
	A2	REVISED (ECR-10-023563)	21.JUN.'11	KT	HG



A-A



B-B



NOTE

- 1. GENERAL TOLERANCE: ± 0.3 , $\pm 3^\circ$
- 2. APPLICABLE WIRE RANGE;

Conductor		Insulation Diameter	
Nominal Size	Calculated Cross-Section Area (mm ²)	Minimum (mm)	Maximum (mm)
0.3	0.37	1.1	1.5
0.5	0.56	1.3	1.7

- 3. APPLICATOR FEED: 7.5mm

② SELECTIVE GOLD	COPPER ALLOY	2005154-2
PRE-TIN	COPPER ALLOY	2005154-1
FINISH	MATERIAL	PART NUMBER

THIS DRAWING IS A CONTROLLED DOCUMENT FOR TYCO ELECTRONICS CORPORATION IT IS SUBJECT TO CHANGE AND THE CONTROLLING ENGINEERING ORGANIZATION SHOULD BE CONTACTED FOR THE LATEST REVISION.

DIMENSIONS: MM	TOLERANCES UNLESS OTHERWISE SPECIFIED:	DWN KT JUNG	NAME TE Connectivity
		CHK KT LIM	
		APVD HG CHD	025 TH TAB CONTACT (S)
		PRODUCT SPEC	
MATERIAL SEE TABLE	FINISH SEE TABLE	APPLICATION SPEC 114-61032	SIZE A3
		WEIGHT	CAGE CODE 00779
CUSTOMER DRAWING		DRAWING NO 2005154	RESTRICTED TO -
		SCALE 10/1	SHEET 1 OF 1 REV A2

Mouser Electronics

Authorized Distributor

Click to View Pricing, Inventory, Delivery & Lifecycle Information:

[TE Connectivity:](#)

[2005154-1](#)