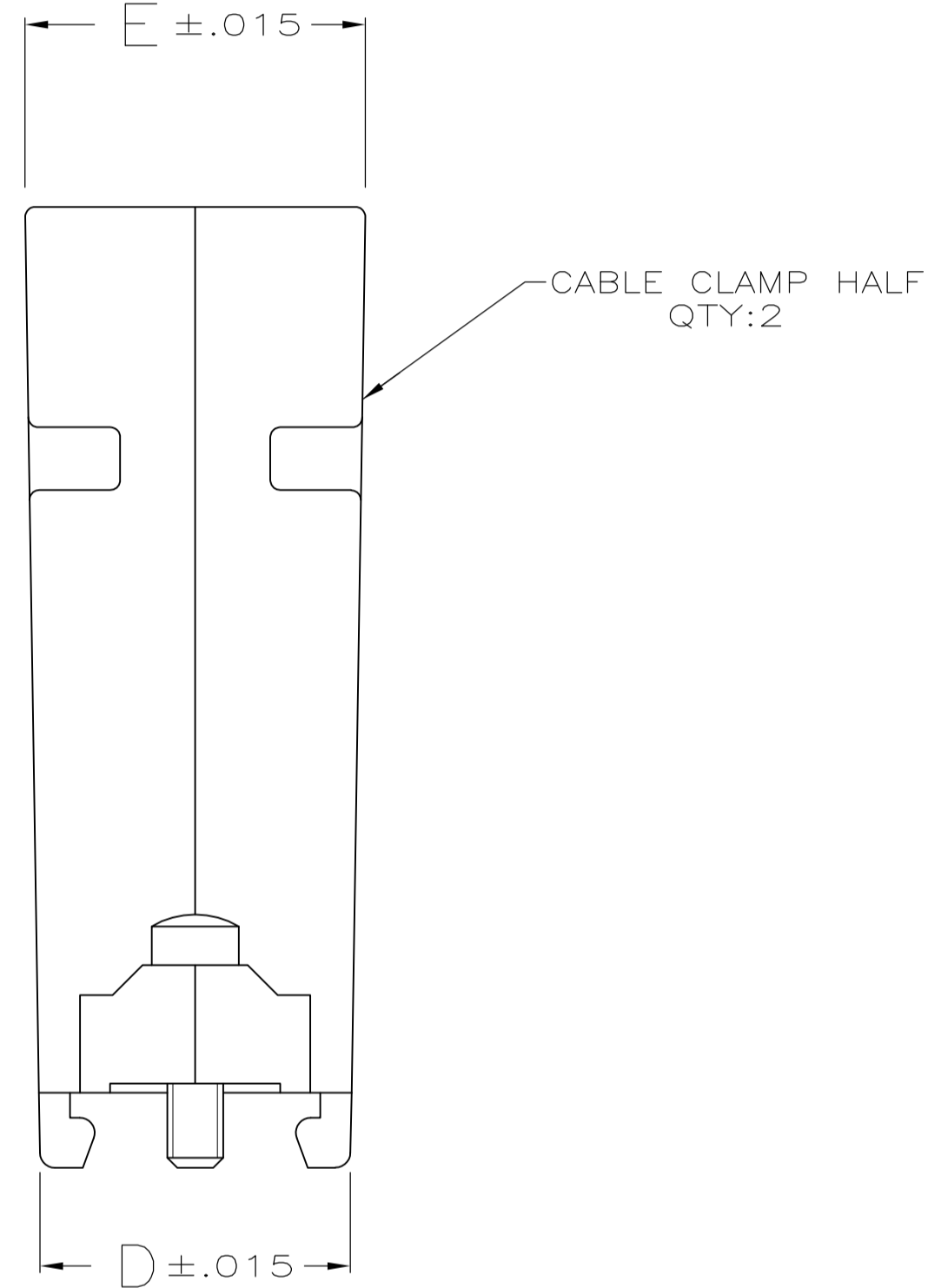
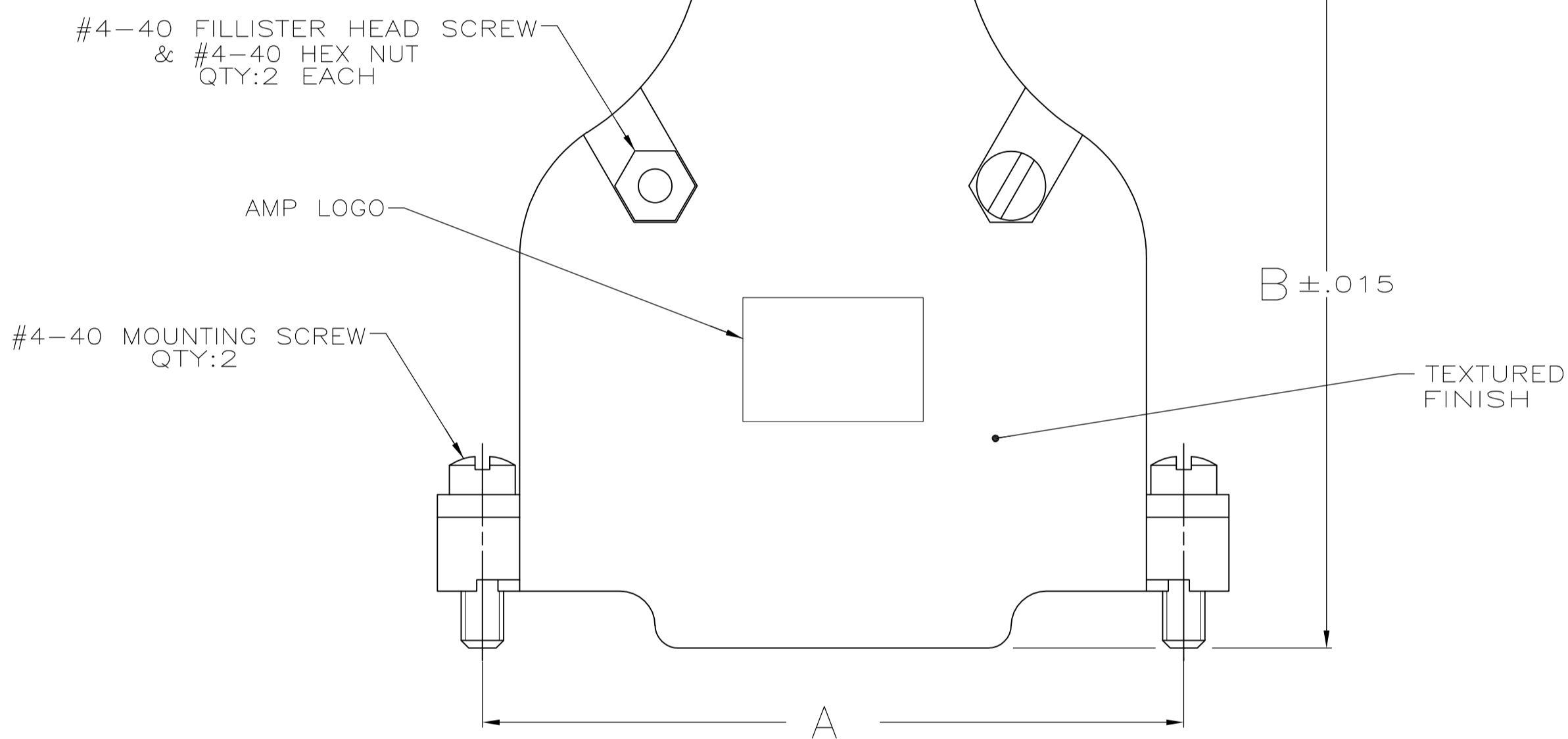
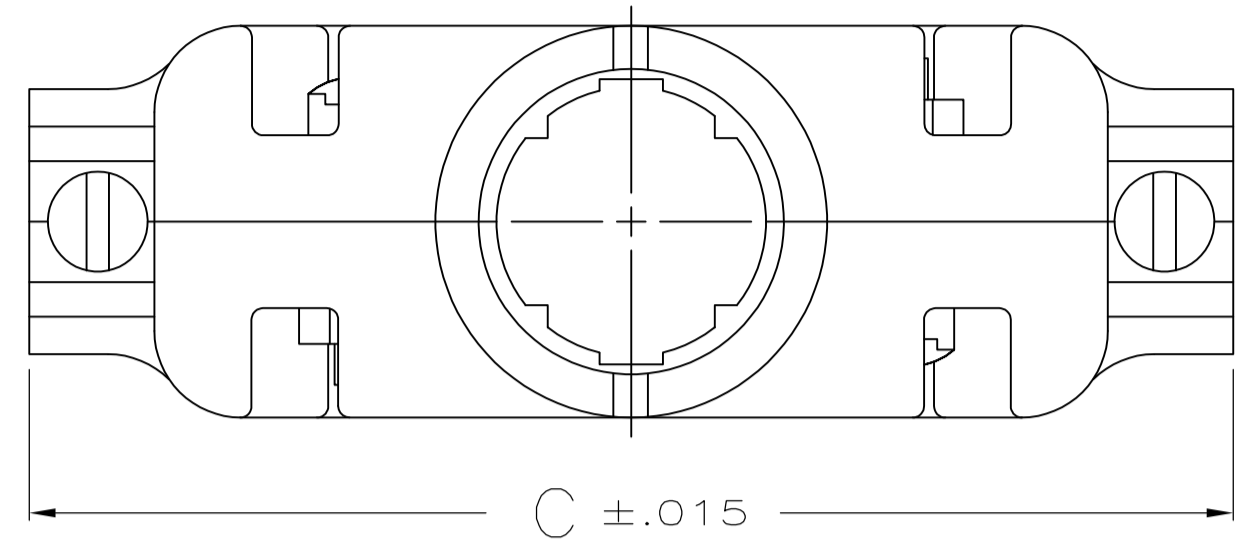
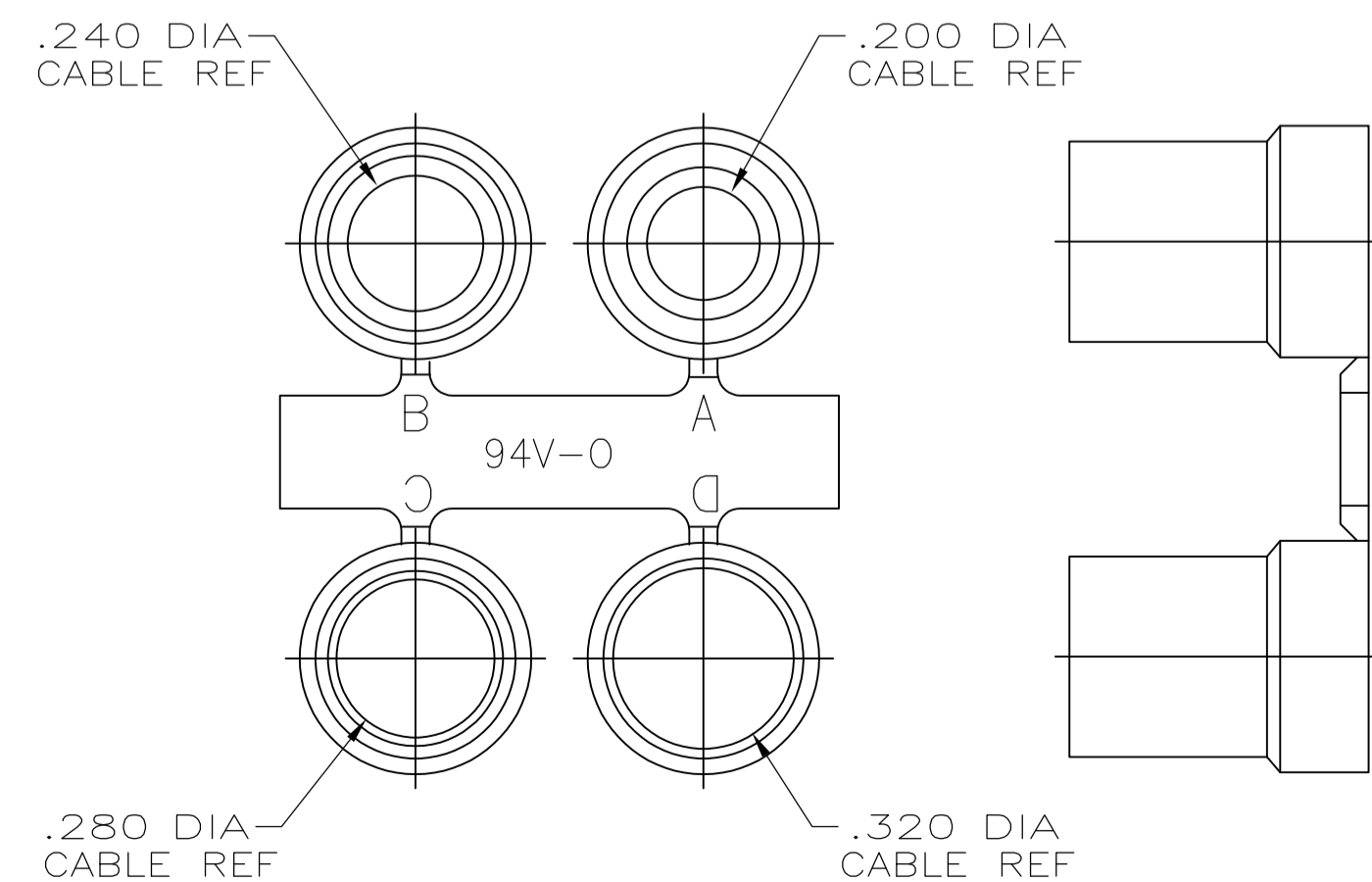


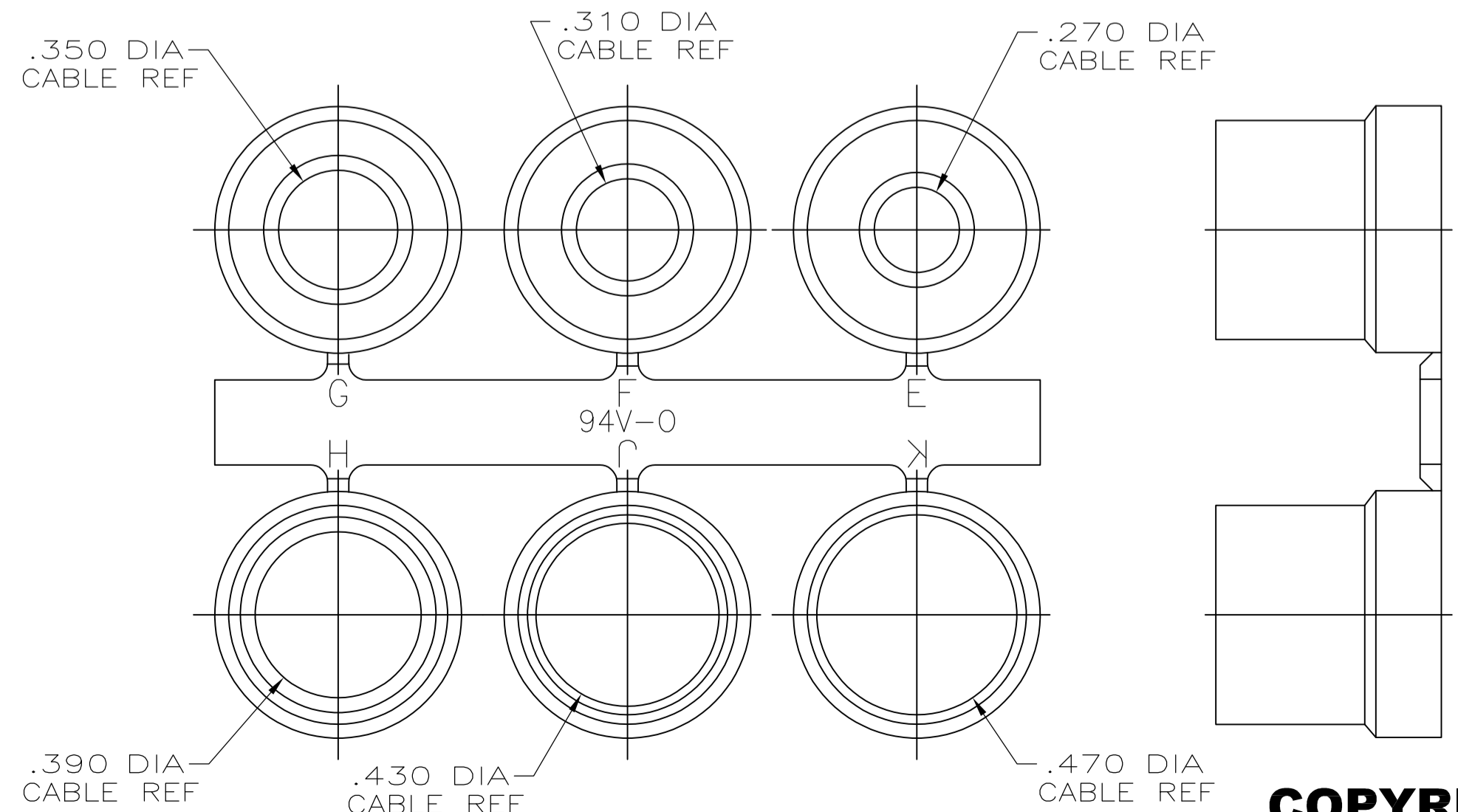
LOC		DIST		REVISIONS				
GP	00	REV	DATE	BY	CHK	APPV		
A1	REVISED PER ECO-11-004835	11MAR11	RK	HMR				



1. PARTS PACKAGED UNASSEMBLED AS A UNIT KIT.
2. CABLE CLAMP HALVES: ZINC ALLOY, FILLISTER HEAD SCREWS, HEX NUTS & MOUNTING SCREWS: STEEL
GROMMETS: FLEXIBLE PVC, UL 94V-0 RATED, COLOR: BLACK.
3. CABLE CLAMP HALVES: NICKEL OVER COPPER, FILLISTER HEAD SCREWS, HEX NUTS & MOUNTING SCREWS: ZINC PLATED .000200-.000400 THICK, CLEAR CHROMATE COATING.
4. OBSOLETE



GROMMET ASSORTMENT FOR SIZES 1 & 2 ONLY



GROMMET ASSORTMENT FOR SIZES 3, 4 & 5 ONLY

SIZE	CAGE CODE	DRAWING NO	RESTRICTED TO
A1	00779	C=5748676	

REV	DATE	BY	CHK	APPV	DESCRIPTION
1	8-17-05	D. HENNY			TE Connectivity
2	8-17-05	C. ROHDE			
3	8-17-05	M. WALMSLEY			KIT, CABLE CLAMP, 180 DEG EXIT, W/GROMMETS, AMPLIMITE SERIES

**COPYRIGHT 2005
TE CONNECTIVITY CORP
ALL RIGHTS RESERVED**

THIS DRAWING IS A CONTROLLED DOCUMENT.	
DIMENSIONS: INCHES	TOLERANCES UNLESS OTHERWISE SPECIFIED:
0. PLC ± .005	1. PLC ± .005
1. PLC ± .005	2. PLC ± .005
2. PLC ± .005	3. PLC ± .005
3. PLC ± .005	4. PLC ± .005
4. PLC ± .005	ANGLES ± .005
MATERIAL	FINISH

Mouser Electronics

Authorized Distributor

Click to View Pricing, Inventory, Delivery & Lifecycle Information:

[TE Connectivity:](#)

[5748676-2](#)