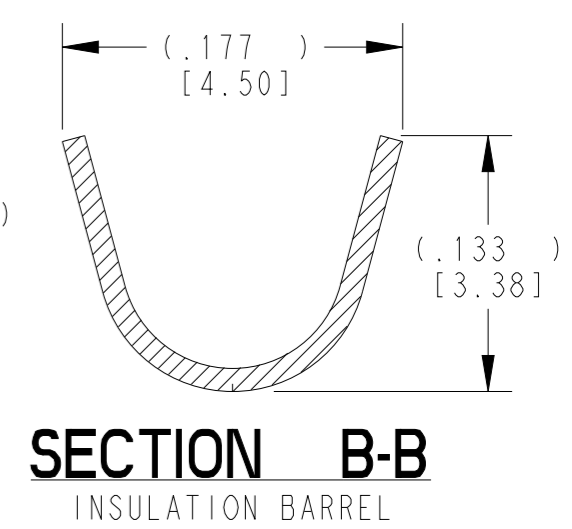
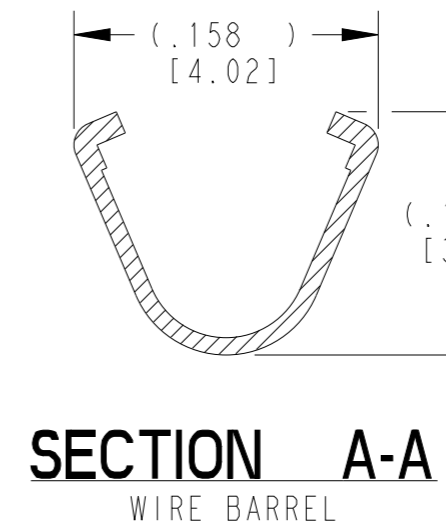
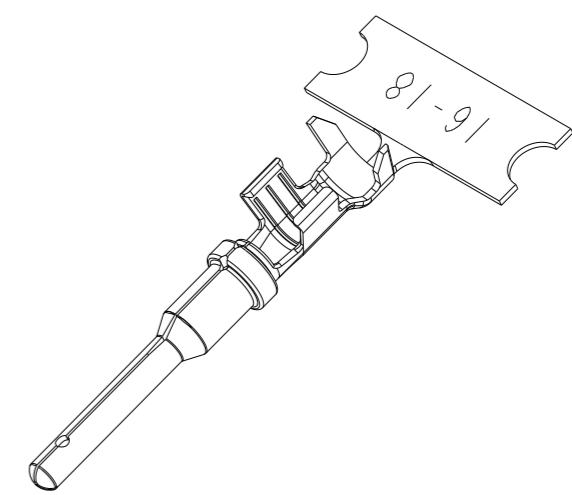
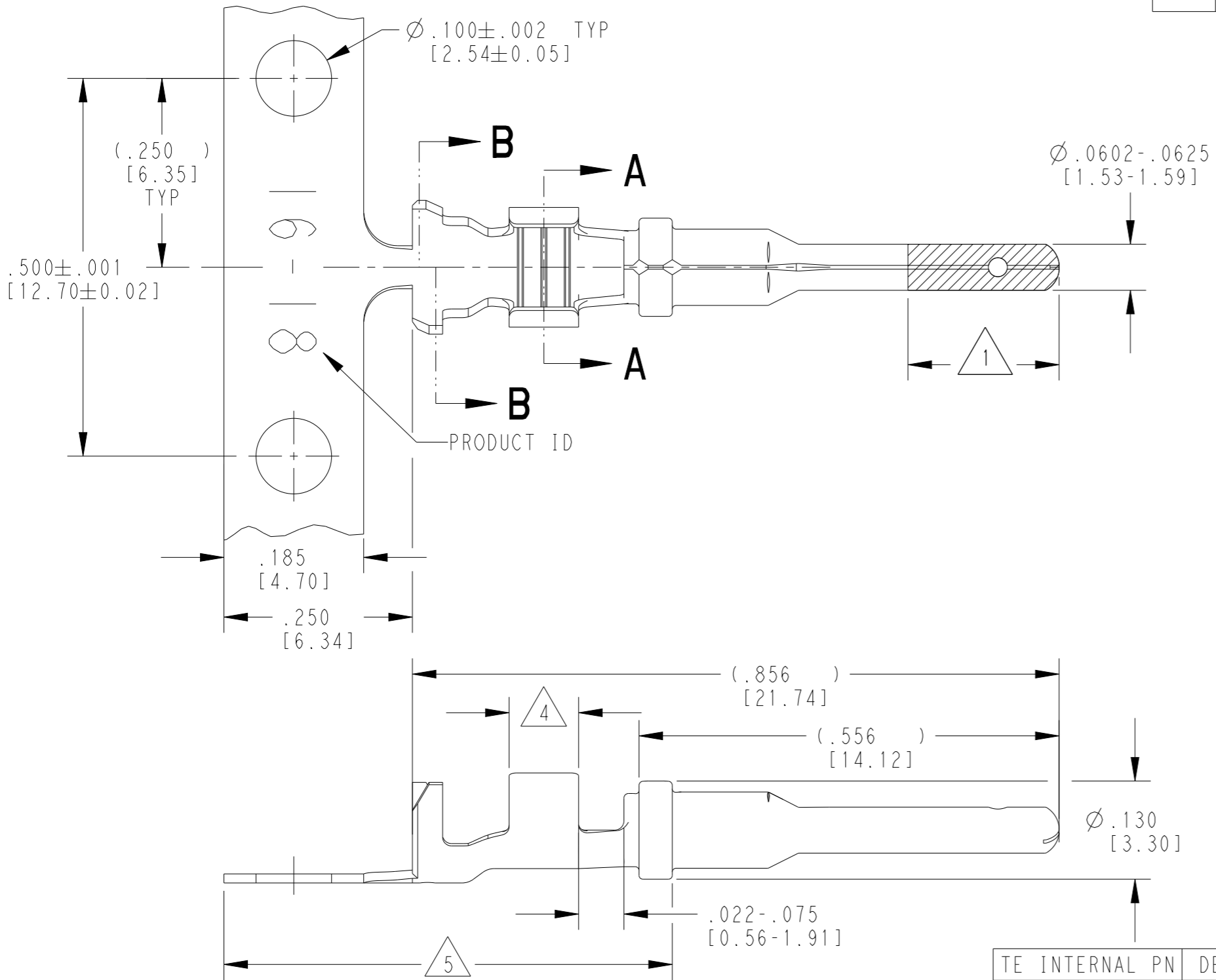


LOC	DIST	REVISIONS			
P	LTR	DESCRIPTION	DATE	DWN	APVD
	J	REVISED PER ECO-15-007761	28MAY2015	RL	DM
	K	REVISED PER PCN E-20-008101	12JUN2020	DM	DM
	L	REVISED PER PCN-21-121539	08DEC2021	MK	DM
	L1	REVISED PER PCN-21-121539	04FEB2022	MK	DM



- 5 TIN PLATING MAY BE IN THIS REGION.
 - 4 TIN PLATED REGION.
 - 3 MATERIAL: .012 [0.30] THICK COPPER ALLOY
 - 2. WIRE RANGE: 18 AWG TO 14 AWG [0.75-2.0 mm²]
INSULATION RANGE: $\phi .075 - .140$ [$\phi 1.91 - 3.56$]
 - 1 GOLD PLATED REGION.
- NOTES: UNLESS OTHERWISE SPECIFIED

TE INTERNAL PN	DEUTSCH PN	PLATING
1060-16-0122	1060-16-0122	Ni/Cu overall, Sn/Ni/Cu Wire Barrel
1060-16-0144	1060-16-0144	Selective Au, Ni/Cu overall, Sn/Ni/Cu Wire Barrel
1060-16-0177	1060-16-0177	Sn/Ni/Cu overall

THIS DRAWING IS A CONTROLLED DOCUMENT.

DWN M. BLUM	04NOV1999	STE TE Connectivity
CHK A. ROLINSKI	08DEC2000	
APVD R. REED	08DEC2000	
PRODUCT SPEC	108-151000	
DIMENSIONS: INCHES [mm]	TOLERANCES UNLESS OTHERWISE SPECIFIED:	NAME STAMPED CONTACT PIN SIZE 16
0 PLC ±	1 PLC ±	APPLICATION SPEC
2 PLC ±	3 PLC ±.025 [0.64]	114-151000
4 PLC ±	ANGLES ±	WEIGHT
MATERIAL	FINISH	0.33 g
	SEE TABLE	Customer Drawing

SIZE A3	CAGE CODE 4AFU8	DRAWING NO C=1060-16-01XX	RESTRICTED TO -
SCALE 6:1		SHEET 1 OF 1	REV L1

Mouser Electronics

Authorized Distributor

Click to View Pricing, Inventory, Delivery & Lifecycle Information:

[TE Connectivity:](#)

[1060-16-0144](#)